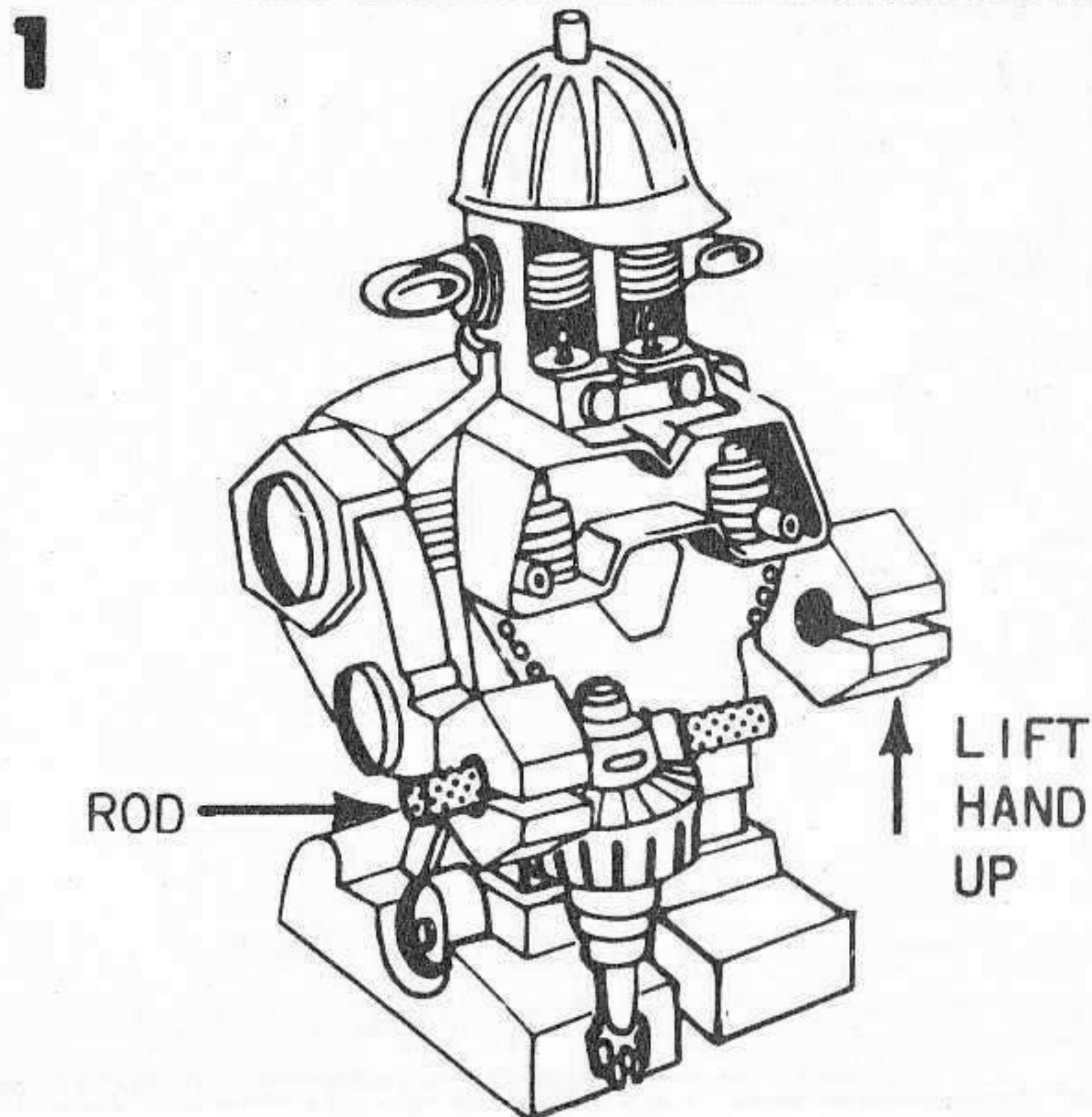




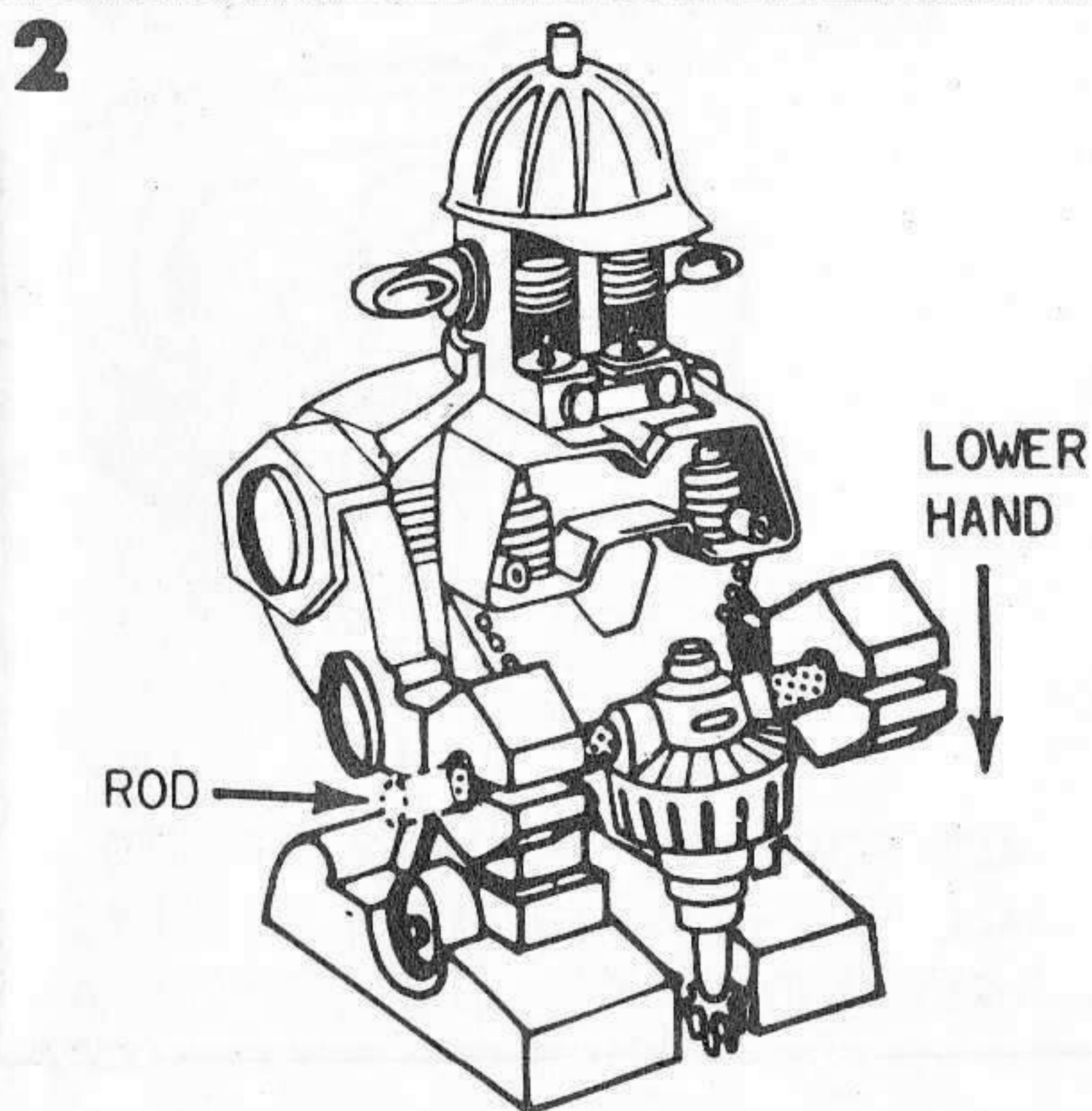
CONSTRUCTO INSTRUCTION SHEET

DO NOT THROW THIS SHEET AWAY. READ ALL INSTRUCTIONS CAREFULLY.

HOW TO ATTACH JACKHAMMER

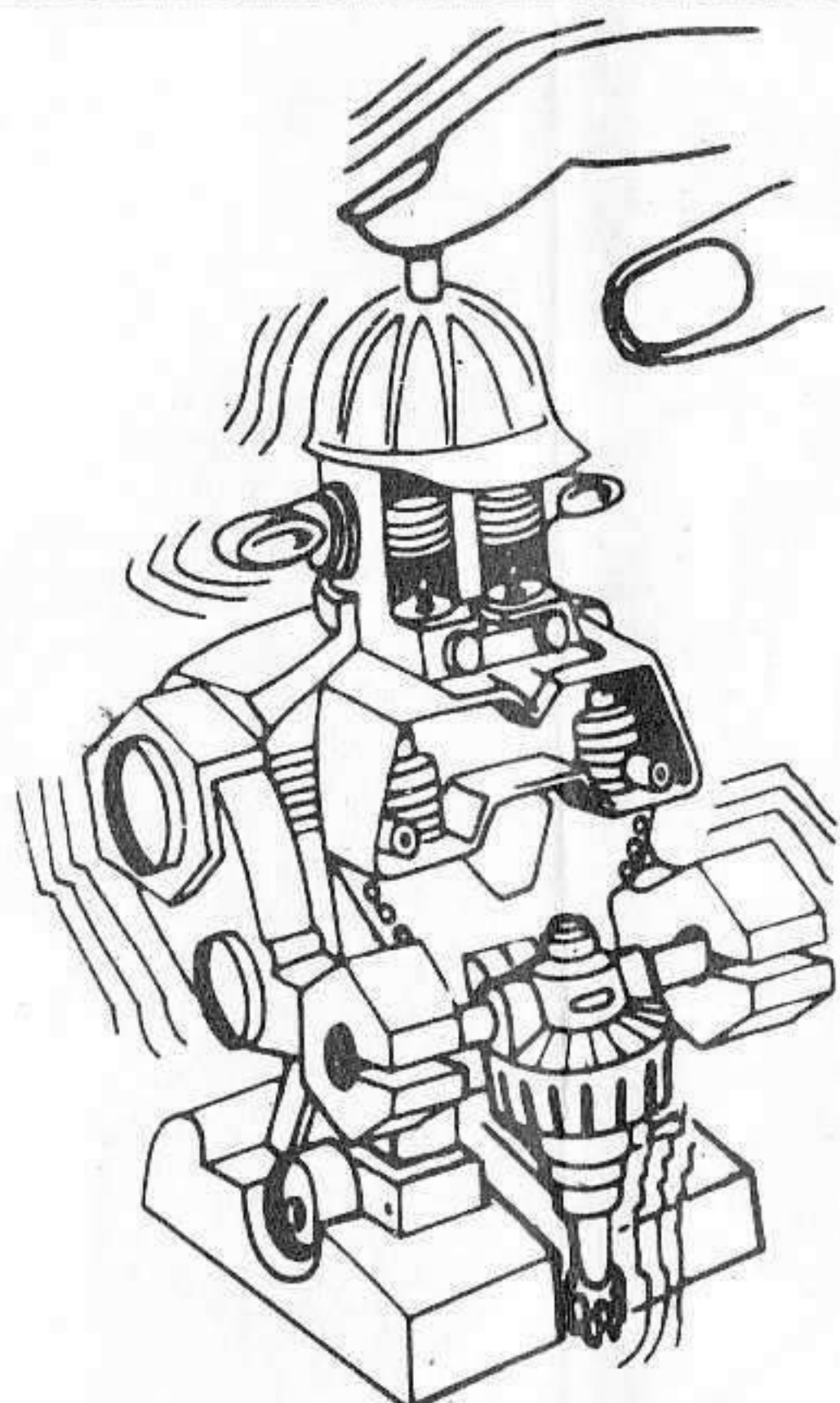


LIFT ONE HAND UP. PUSH JACKHAMMER ROD ALL THE WAY INTO OTHER HAND.



LOWER HAND AND SLIDE ROD INTO IT.

HOW TO PLAY WITH YOUR CONSTRUCTO



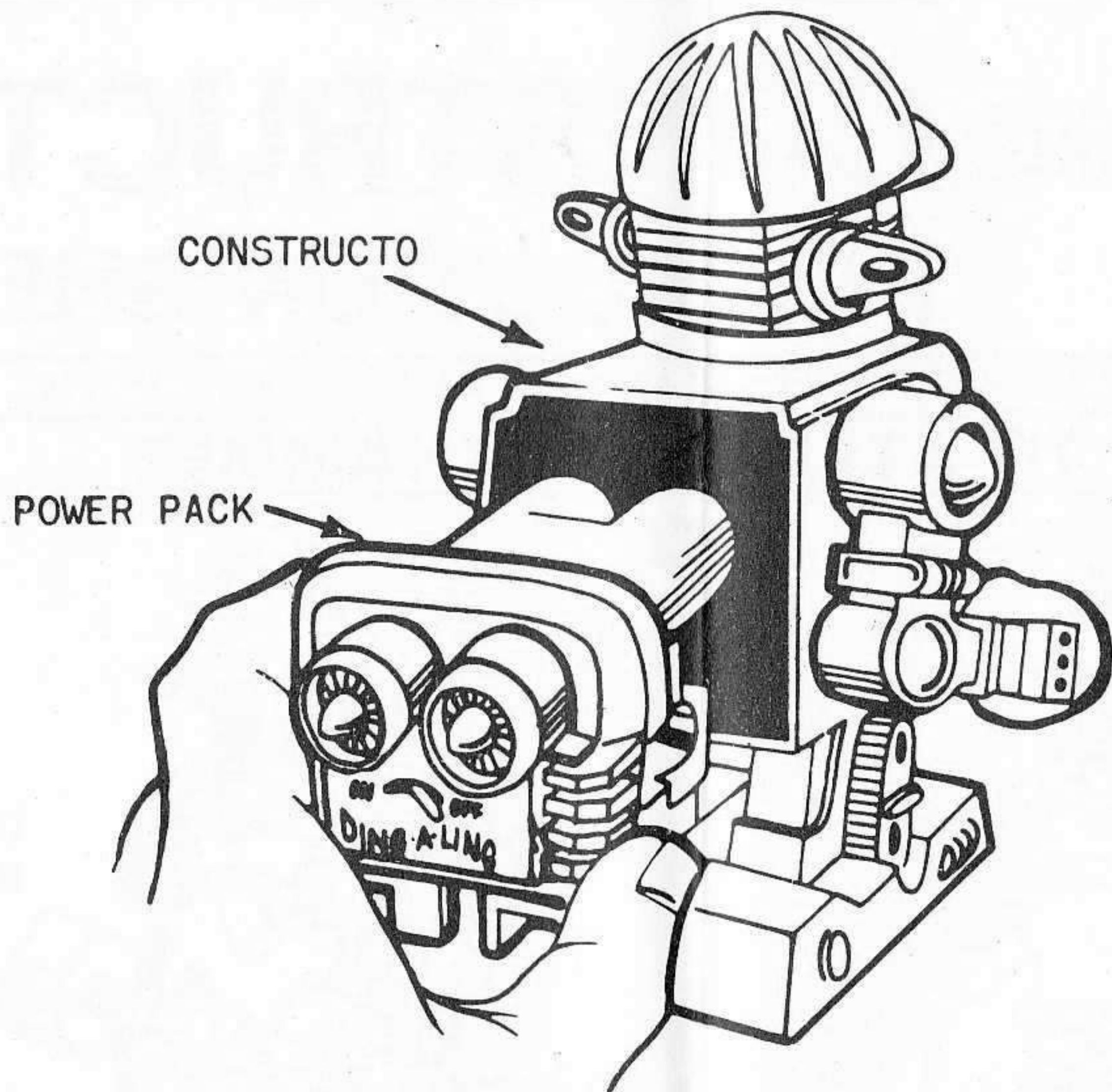
WHEN YOU PRESS THE BUTTON ON TOP OF CONSTRUCTO'S HAT, HE WILL MOVE THE JACKHAMMER UP AND DOWN.



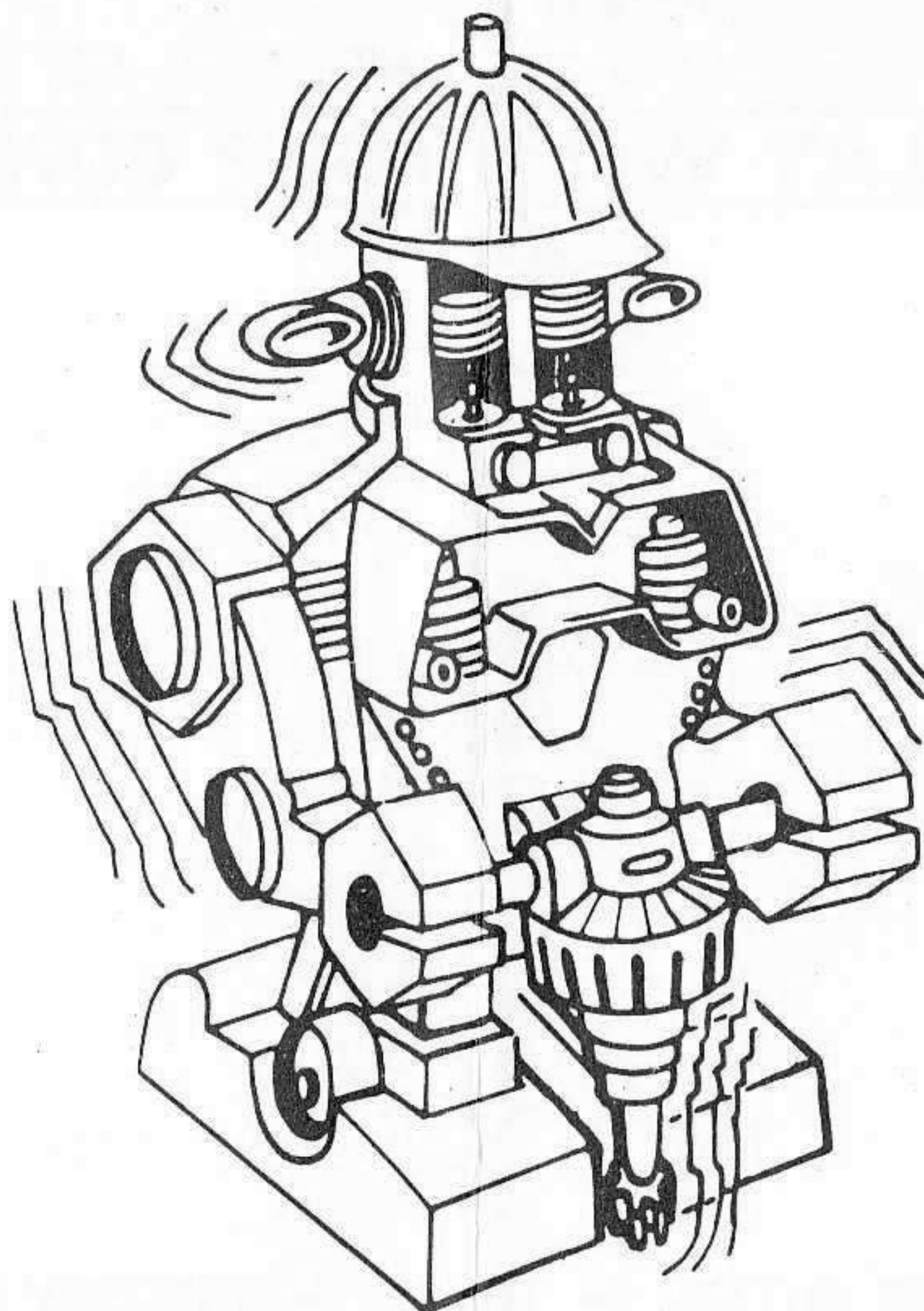
©1971 TOPPER CORPORATION, ELIZABETH, N.J. 07206

3032-0010

PRINTED IN HONG KONG



ADD POWER TO YOUR CONSTRUCTO WITH A DING-A-LING POWER PACK. ALL YOU NEED IS ONE POWER PACK TO MAKE ALL YOUR DING-A-LINGS WALK AND GLIDE. (POWER PACK AND SPACE SKYWAYS SOLD SEPARATELY.)



WHEN YOU HAVE ADDED POWER TO YOUR CONSTRUCTO, HE WILL WALK BY HIMSELF AND MOVE HIS ARMS UP AND DOWN AUTOMATICALLY.