

[54] TOY ROBOT

[75] Inventor: Makiko Watanabe, Tokyo, Japan

[73] Assignee: Tomy Company, Ltd., Tokyo, Japan

[**] Term: 14 Years

[21] Appl. No.: 897,121

[22] Filed: Aug. 15, 1986

[30] Foreign Application Priority Data

Feb. 28, 1986 [JP] Japan 61-7018

[52] U.S. Cl. D21/150

[58] Field of Search D21/150; 446/376, 290-292,
446/71-76, 97, 99

[56] References Cited

U.S. PATENT DOCUMENTS

D. 290,032	5/1987	Horiuchi	D21/150
D. 290,146	6/1987	Horiuchi	D21/150
D. 292,604	11/1987	Seo	D21/150
D. 293,347	12/1987	Murasaki	D21/150

Primary Examiner—Melvin B. Feifer
Attorney, Agent, or Firm—Staas & Halsey

[57] CLAIM

The ornamental design for a toy robot, as shown.

DESCRIPTION

FIG. 1 is a front elevational view of a toy robot showing my new design;

FIG. 2 is a rear elevational view thereof;

FIG. 3 is a right side elevational view thereof;

FIG. 4 is a left side elevational view thereof;

FIG. 5 is a top plan view thereof; and

FIG. 6 is a bottom plan view thereof.

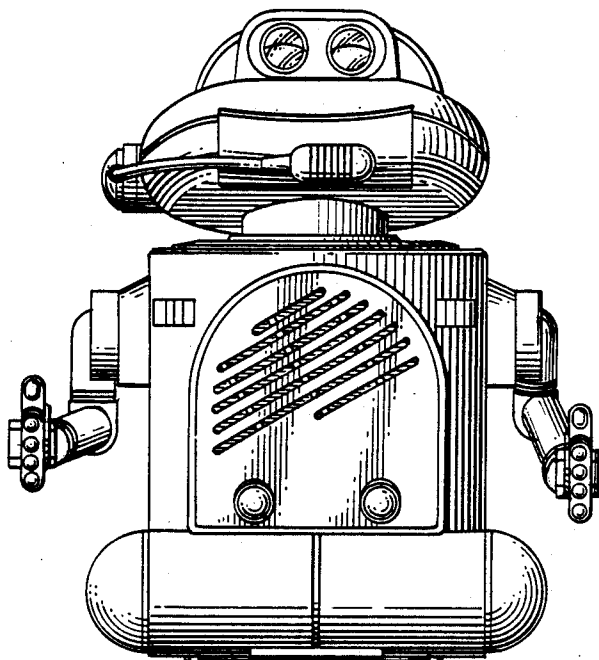


FIG. 2.

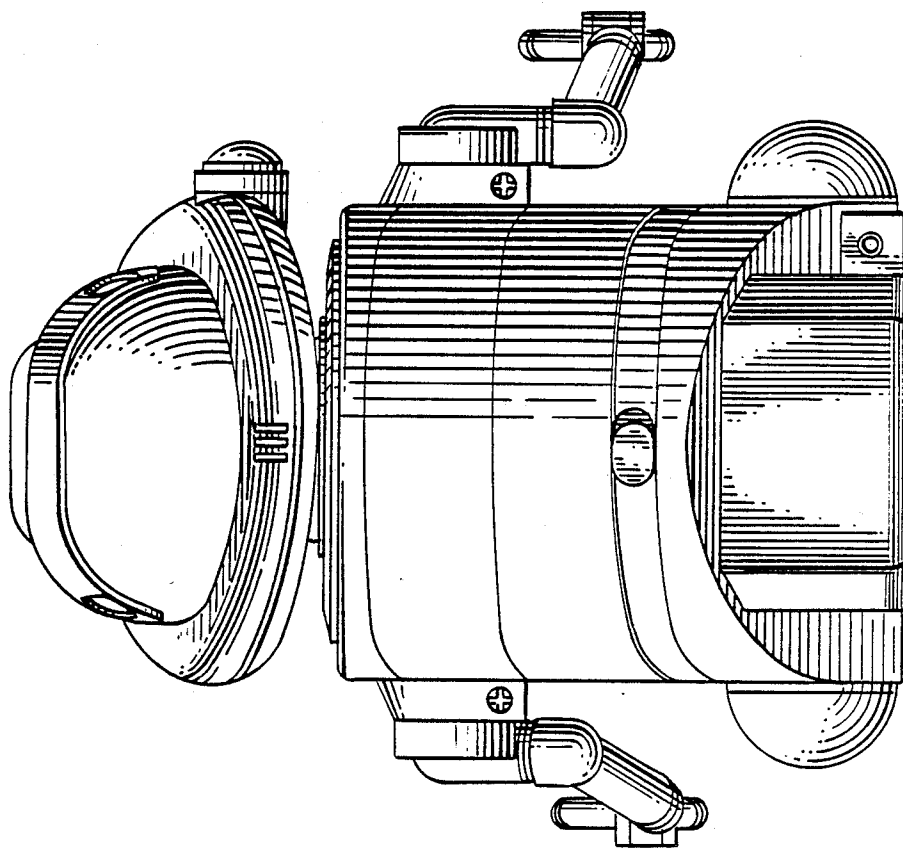


FIG. 1.

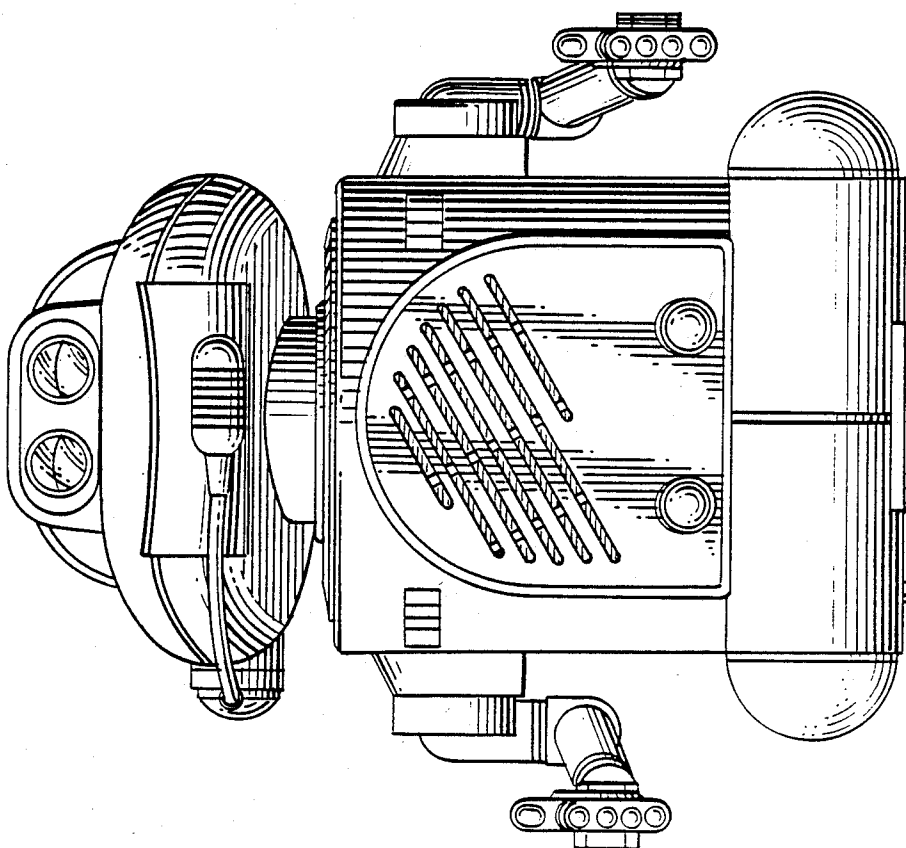


FIG. 4.

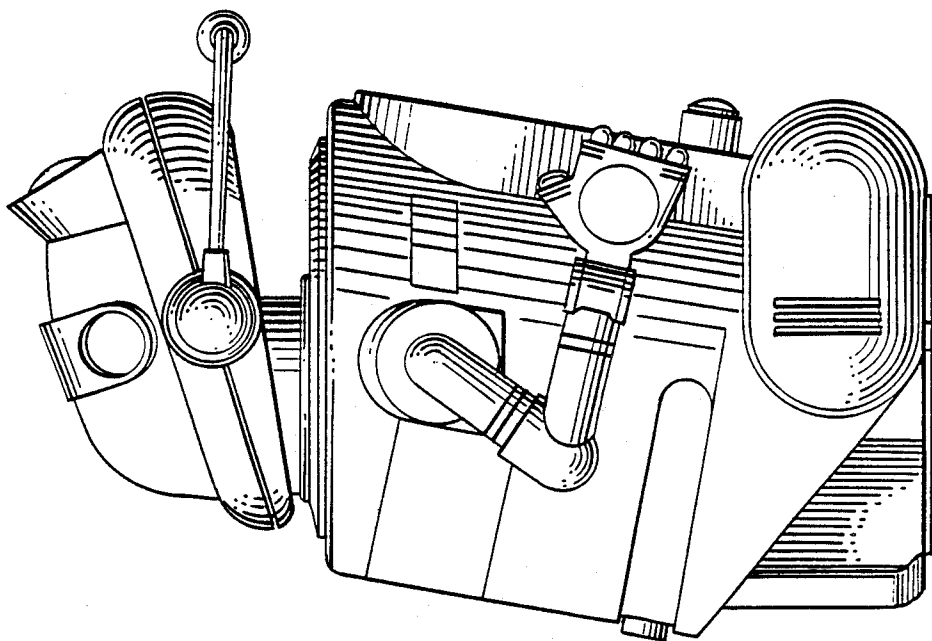


FIG. 3.

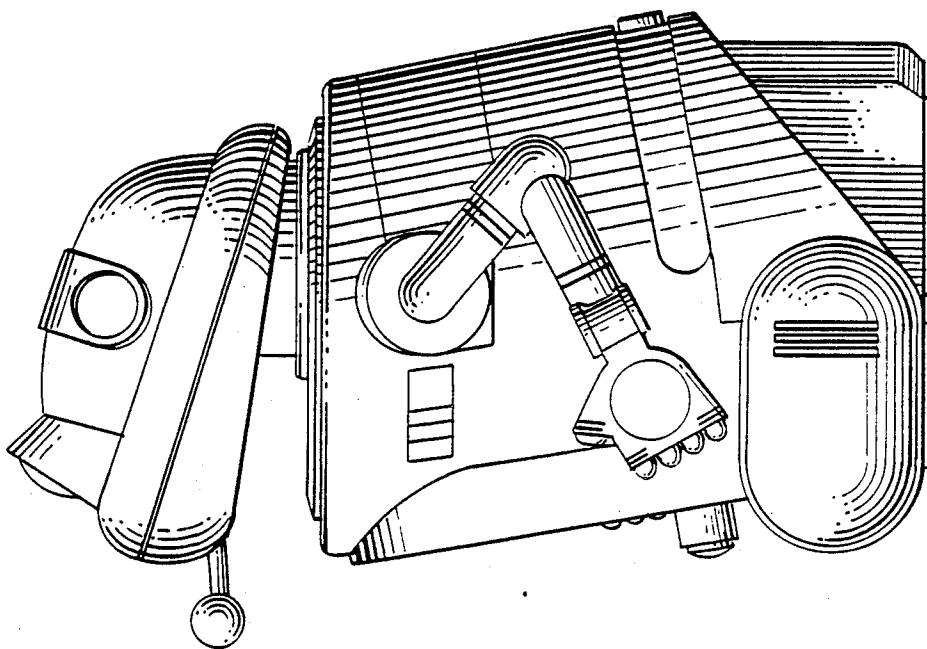


FIG. 5.

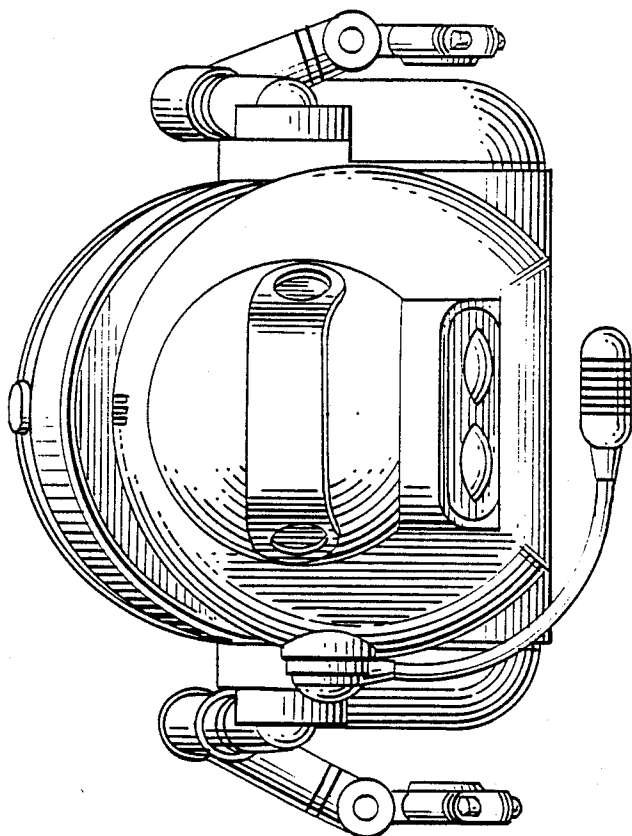


FIG. 6.

