



# Chip the Robot





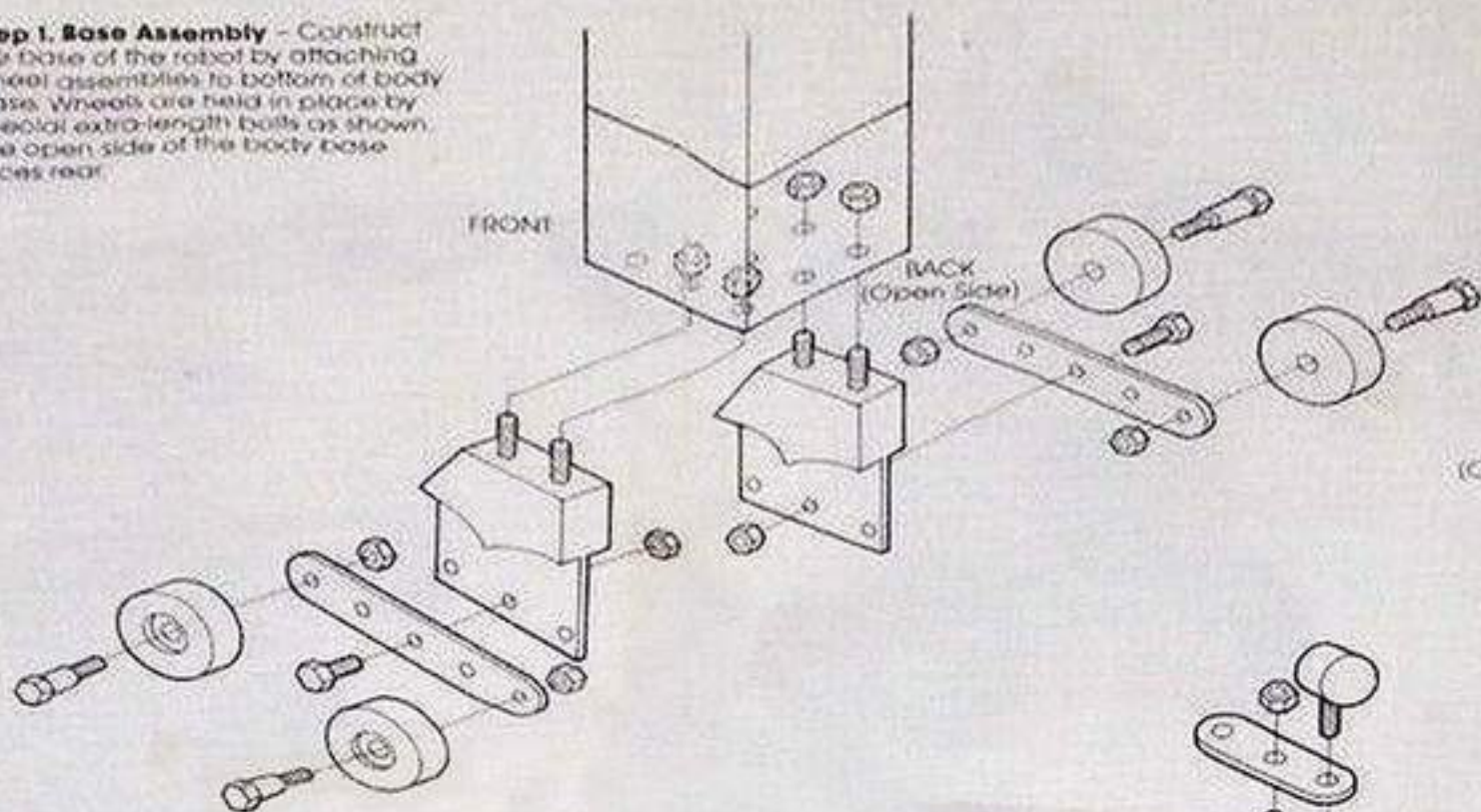


Item #353

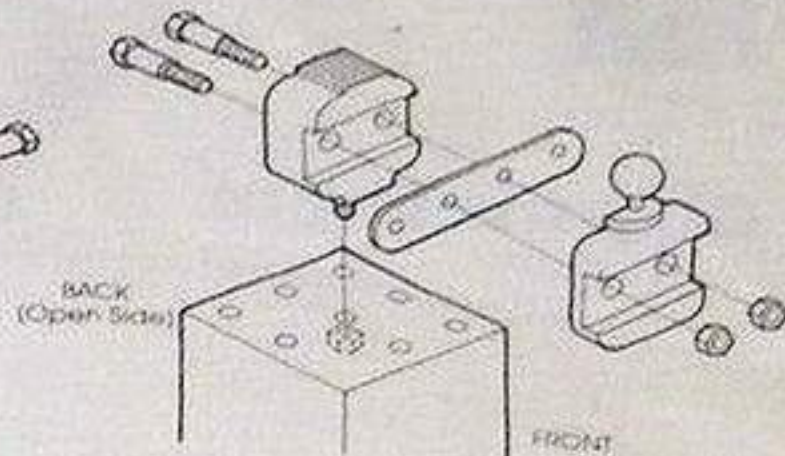
# Chip the Robot Assembly Instructions

From 6 years  
Made in France

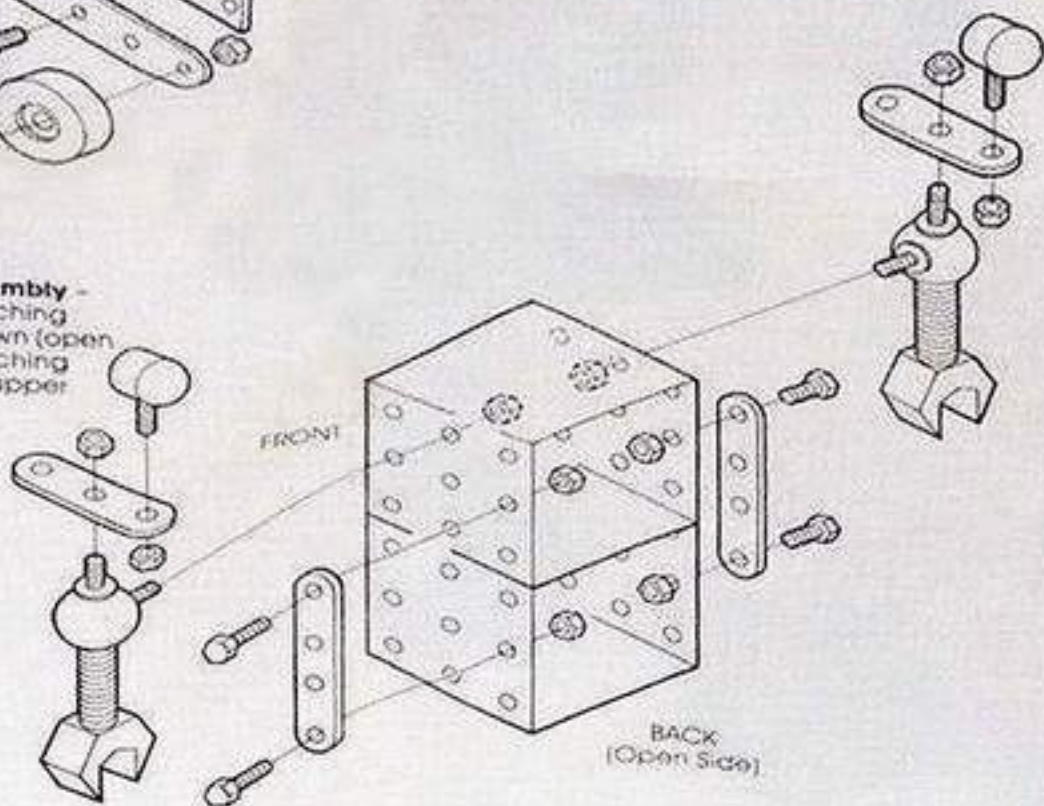
**Step 1. Base Assembly** - Construct the base of the robot by attaching wheel assemblies to bottom of body base. Wheels are held in place by special extra-length bolts as shown. The open side of the body base faces rear.



**Step 3. Head Assembly** - Complete the head assembly as shown using specially decorated extra-length bolts and attach to the top of robot body.



**Step 2. Body and Arm Assembly** - Complete the body by attaching both bases together as shown (open sides facing rear), and attaching arm assemblies to sides of upper body base.



**Step 4. Front Assembly** - Complete the robot by attaching decorative cardboard trim pieces to front of body assembly as shown.

