



Ages 6+ • 2 Players

Please keep these instructions for future reference, as they contain important information.

Contents:

2 – 6½" Plastic Robots, 1 - 10" x 10" Ring, 2 - Controllers, 2 – Robot Platforms, 1 – Pole and rope assembly, Label Sheet, Instructions.

Please remove all contents from the package and compare them to the above list. If any of the items are missing, please call 1-800-524-TOYS.

© 2001 Mattel, Inc., El Segundo, CA 90245 U.S.A.
MADE IN CHINA. Manufactured for Mattel. All Rights Reserved.
® and TM designate U.S. trademarks of Mattel, Inc.

Retain this address for future reference:
Mattel U.K., Ltd., Vanwall Business Park, Maidenhead SL6 4UB.
Mattel Australia Pty., Ltd., Richmond, Victoria 3121 -
Consumer Advisory Service 1800 800 812 (Valid only in Australia).
Mattel East Asia Limited, 930 Ocean Centre, Harbour City, HK, China.

68896



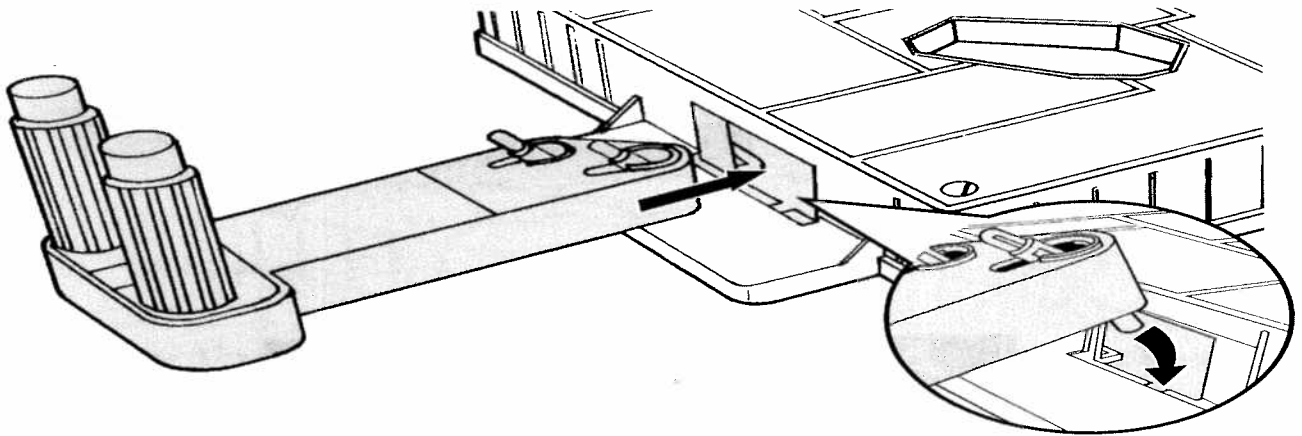
2-YEAR LIMITED WARRANTY

Mattel, Inc., warrants to the original consumer purchaser that this product will be free of defects in material or workmanship for two years (unless specified in alternate warranties) from the date of purchase. If defective, return the product along with proof of the date of purchase, postage prepaid, to Consumer Relations, 636 Girard Avenue, East Aurora, New York, 14052, for replacement or refund at our option. This warranty does not cover damage resulting from unauthorized modification, accident, misuse, or abuse. In no event shall we be responsible for incidental, consequential, or contingent damages (except in those states that do not allow this exclusion or limitation). Valid only in U.S.A. This warranty gives you specific legal rights, and you may also have other rights which vary from state to state. Some states do not allow the exclusion of incidental or consequential damages, so the above exclusions or limitations may not apply to you.

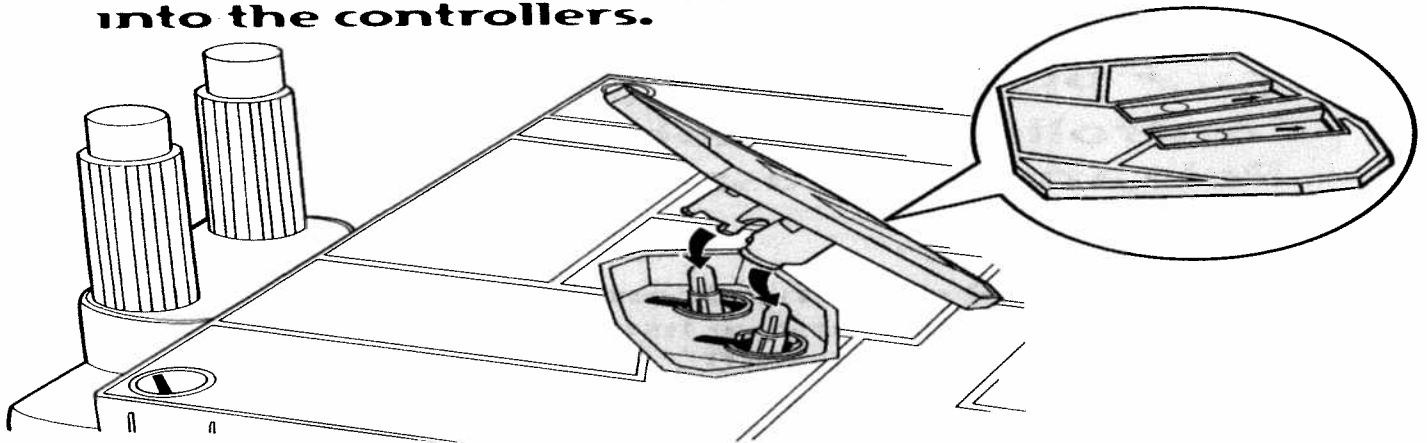
Send only the product to the address above. Send all correspondence to Consumer Relations, Mattel, Inc., 333 Continental Blvd., El Segundo, California 90245-5012, U.S.A. Or you may phone us toll-free at 1-800-524-TOYS, Monday – Friday, 8:00 a.m. – 6:00 p.m. Eastern Time. Outside U.S.A., see telephone directory for Mattel listing.

GAME ASSEMBLY:

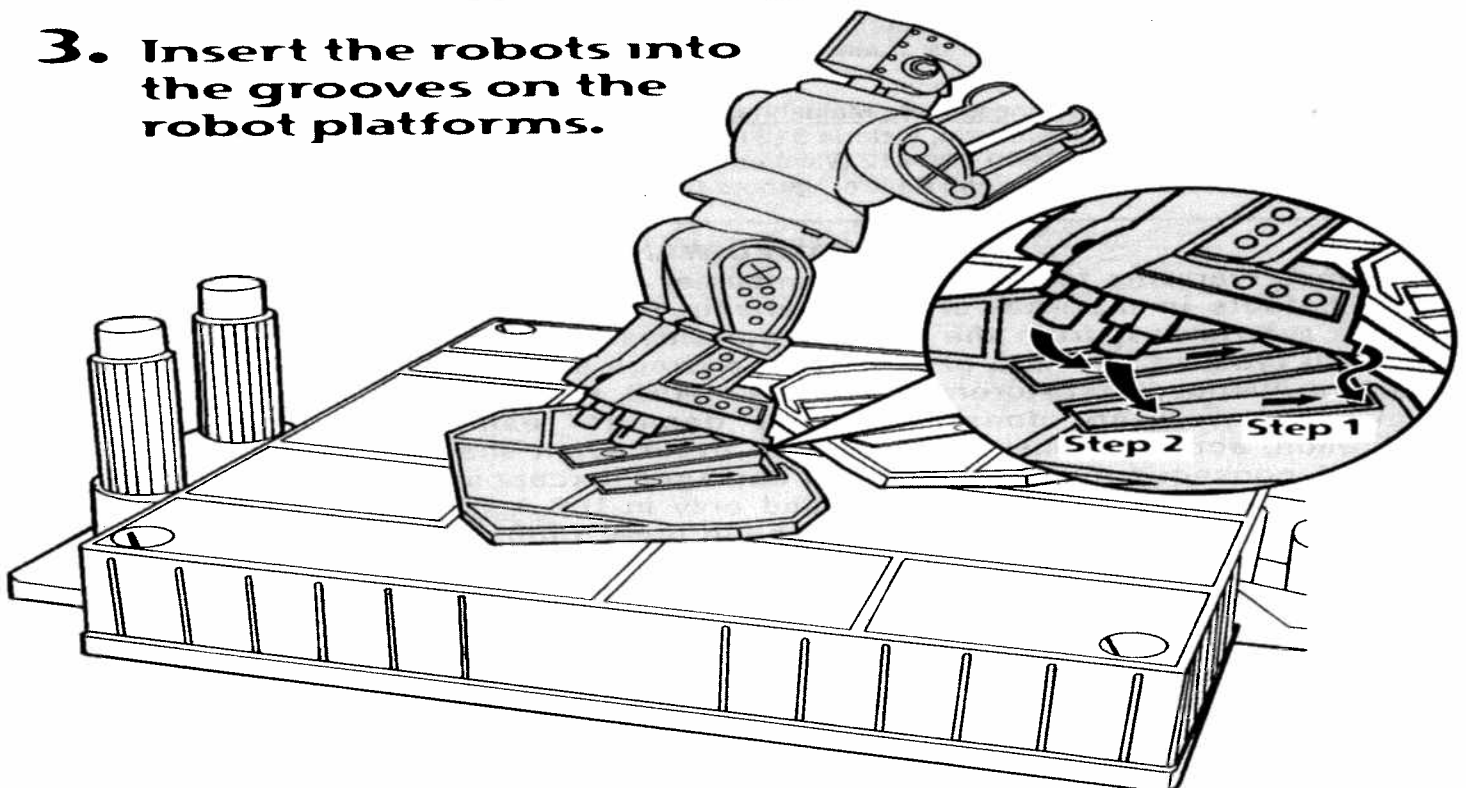
- 1. Slide the controllers into the slots on the side of the ring. Controllers should be inserted at an angle with the knob on the end of the controller going through the opening first.**



- 2. Insert the robot platforms into the holes on the large platform and snap the robot holders into the controllers.**

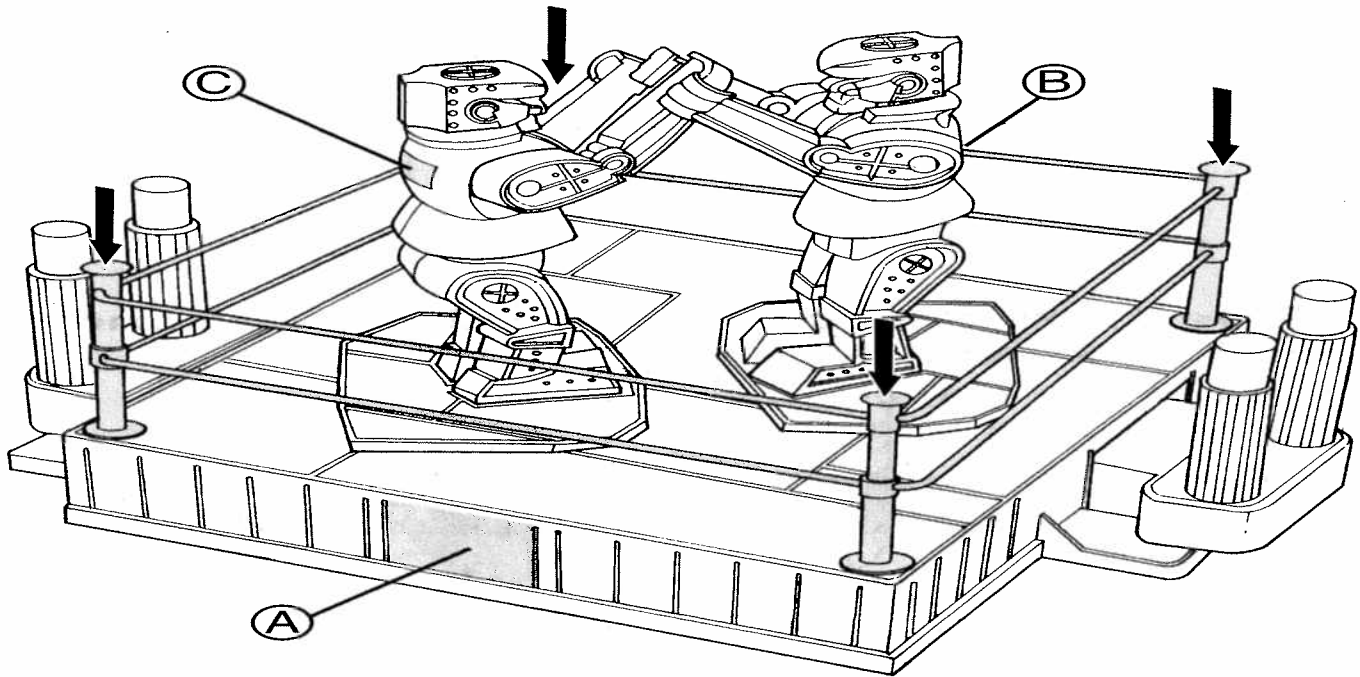


- 3. Insert the robots into the grooves on the robot platforms.**

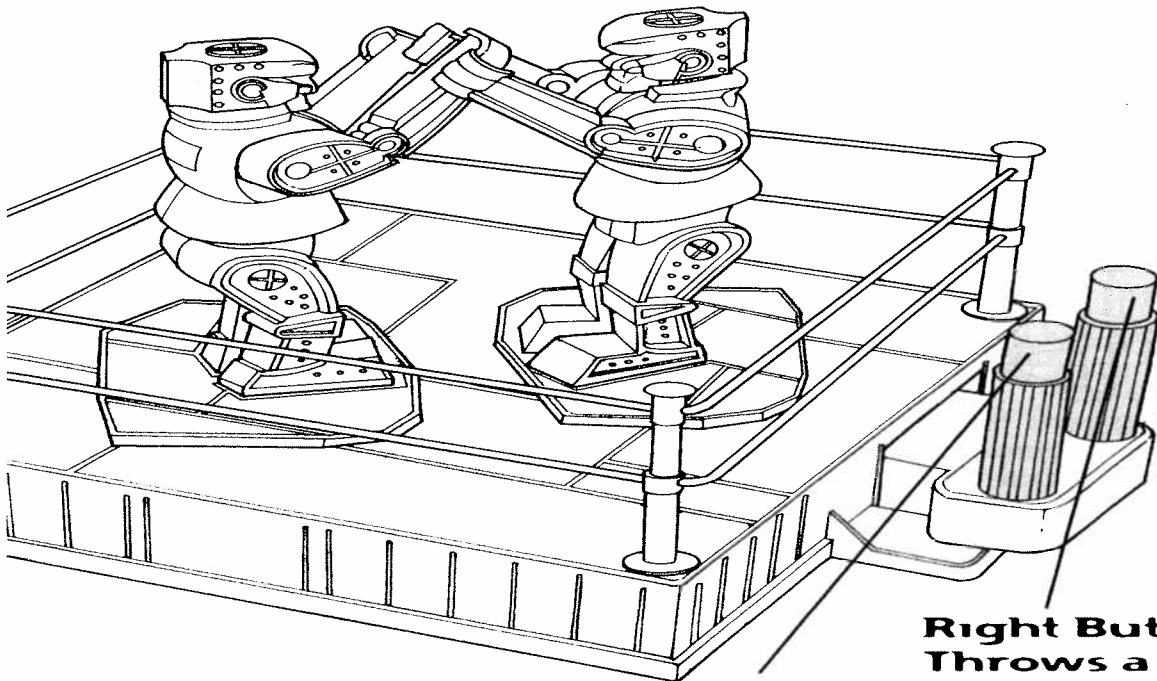


4. Insert the ring poles into each corner of the main platform.

Apply labels



GAME CONTROLS:



**Right Button –
Throws a right punch**

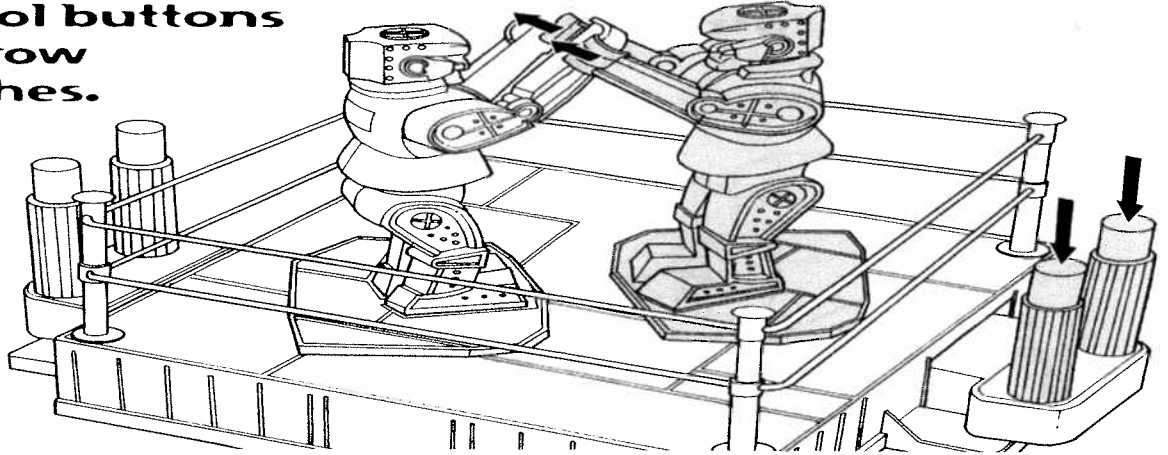
**Left Button –
Throws a left punch**

OBJECT OF GAME:

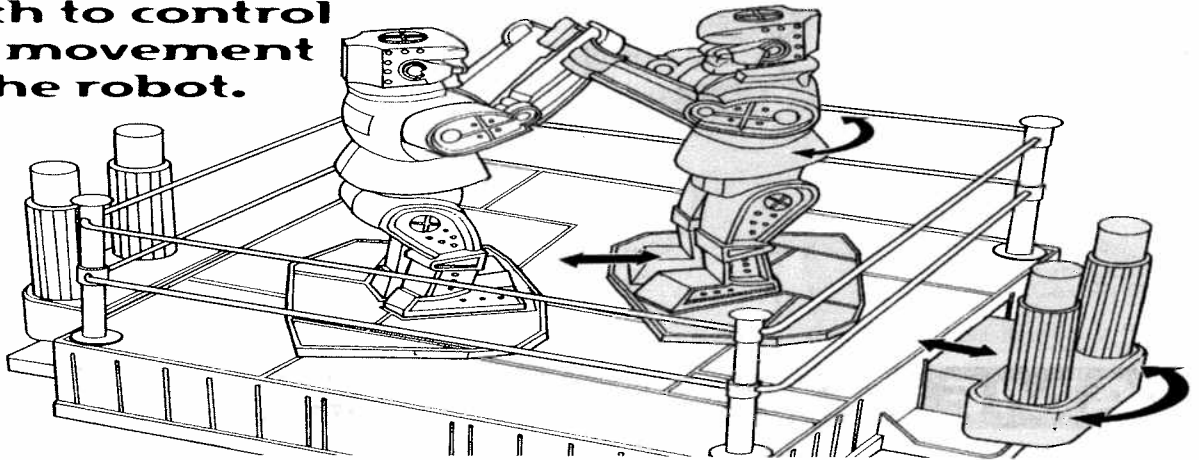
To knock your opponent's robot out by punching it in the jaw and making its head pop up.

HOW TO PLAY:

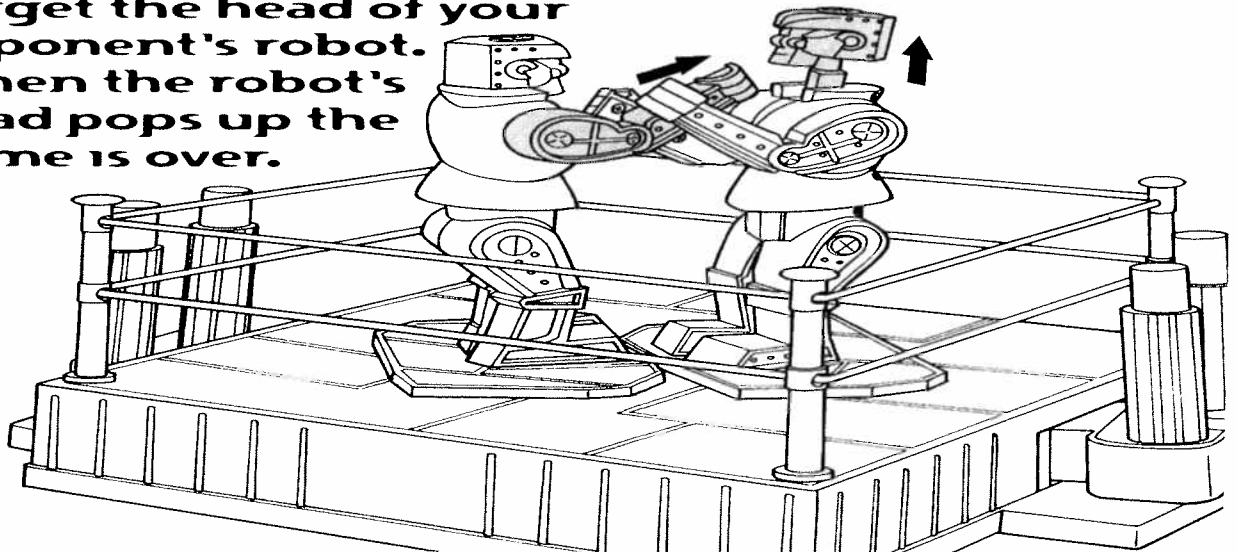
- 1. Grasp the controls and rapidly press the control buttons to throw punches.**



- 2. Move the control pad side to side or back and forth to control the movement of the robot.**



- 3. Target the head of your opponent's robot. When the robot's head pops up the game is over.**



- 4. Press down the robot's head to start the next round.**

