

[54] ROBOT

[75] Inventors: Douglas H. Jones, Felton; Siegfried W. Salat, Palo Alto Hills, both of Calif.

[73] Assignee: Androbot, Inc., San Jose, Calif.

[**] Term: 14 Years

[21] Appl. No.: 447,655

[22] Filed: Dec. 7, 1982

[52] U.S. Cl. D21/150

[58] Field of Search D21/150, 148, 160; 446/289-291, 376

[56] References Cited

U.S. PATENT DOCUMENTS

D. 262,474	12/1981	Doornick et al.	D21/150
D. 263,488	3/1982	Haber	D21/150
3,103,762	9/1963	Glass et al.	D21/150
3,728,815	4/1973	Tomiyama	D21/150

Primary Examiner—Melvin B. Feifer
Attorney, Agent, or Firm—Reagin & King

[57] CLAIM

The ornamental design for a robot, as shown and described.

DESCRIPTION

FIG. 1 is a perspective view of the robot with the rotatable head turned from the forward facing position showing our new design;

FIG. 2 is a front view thereof with the head facing forward;

FIG. 3 is a right side view thereof with the head facing forward;

FIG. 4 is a rear view thereof with the head facing forward;

FIG. 5 is a left side view thereof with the head facing forward;

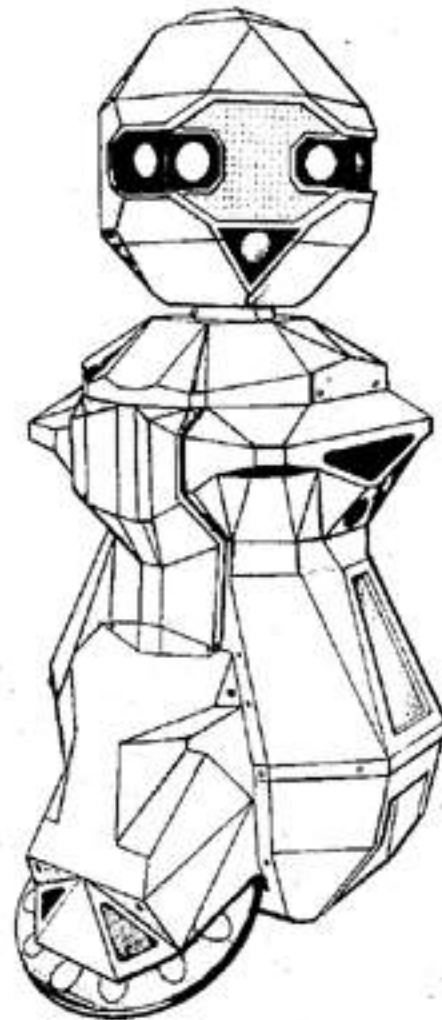
FIG. 6 is a top view thereof with the head facing forward;

FIG. 7 is a bottom view thereof with the head facing forward;

FIG. 8 is a front view thereof with the head facing forward and with the extendable arms in their extended positions;

FIG. 9 is a right side view thereof with the hand facing forward and with the extendable arms in their extended positions; and

FIG. 10 is a rear view thereof with the head facing forward and with the extendable arms in their extended positions.



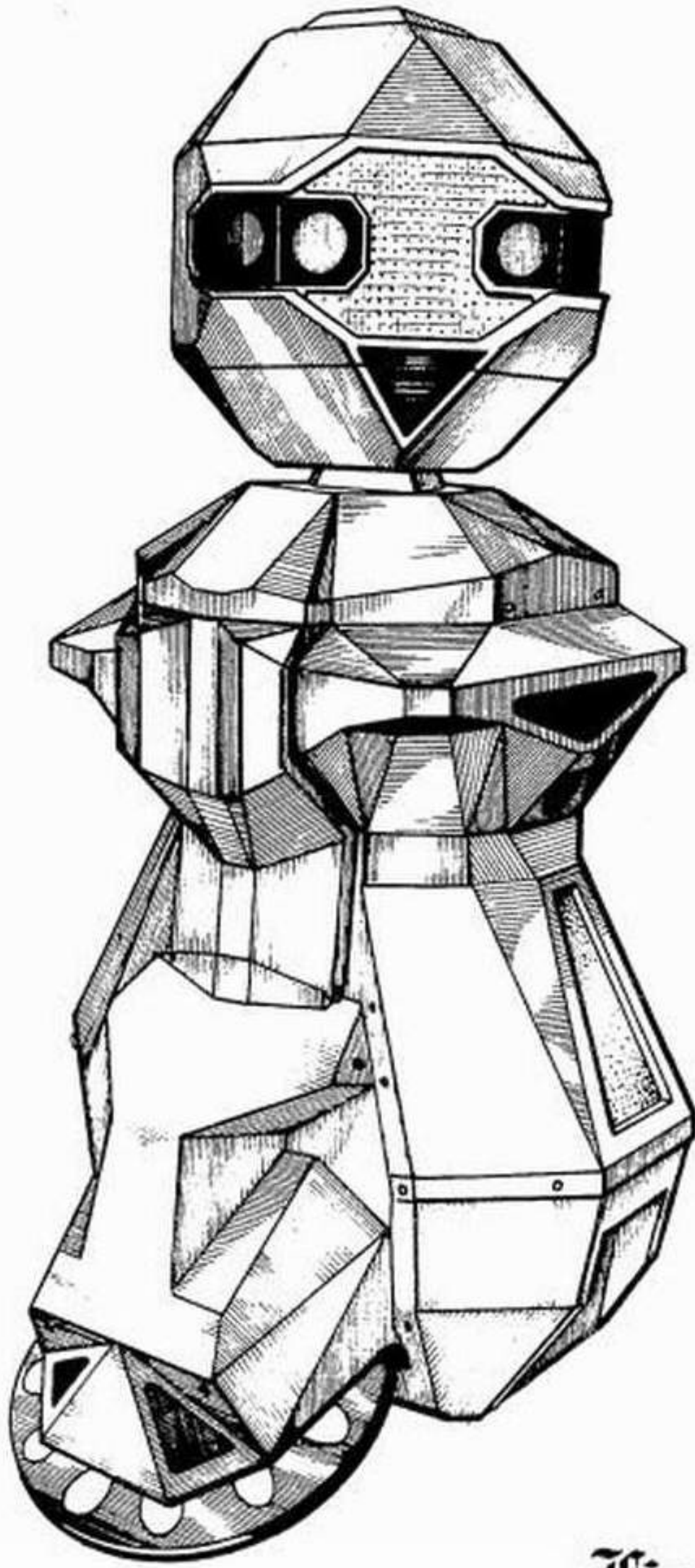


Fig. 1.

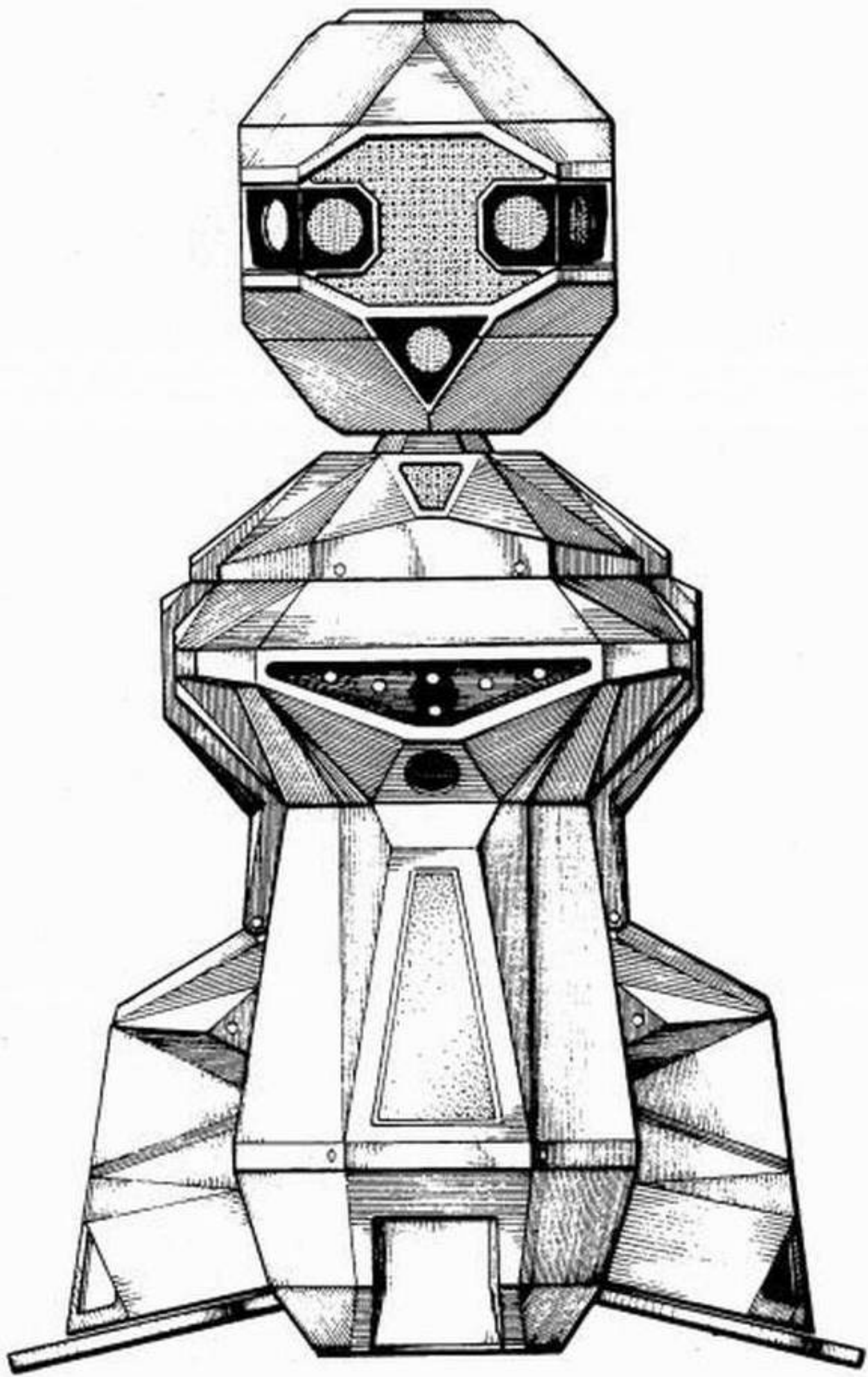


Fig. 2.

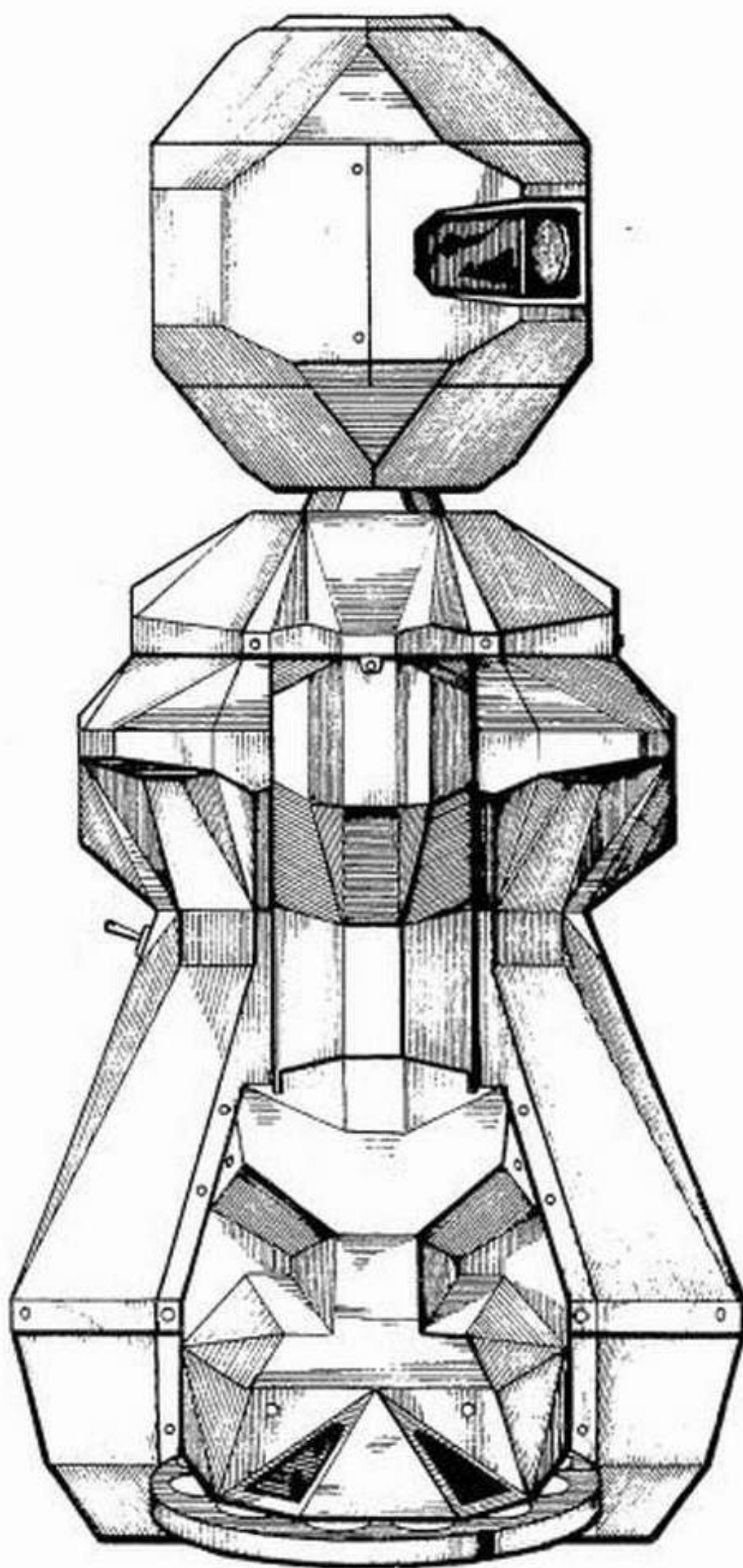


Fig. 3.

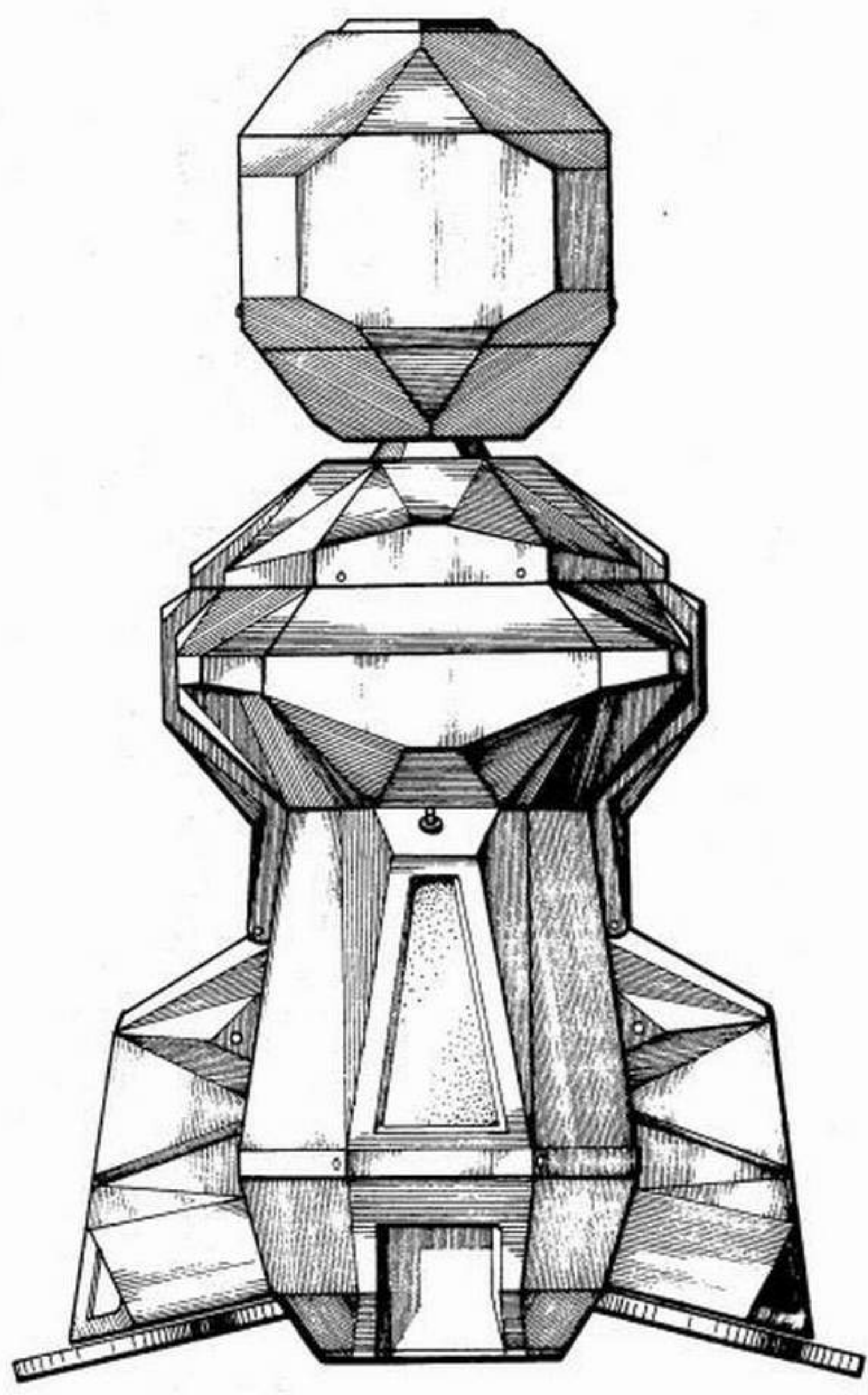


Fig. 4.

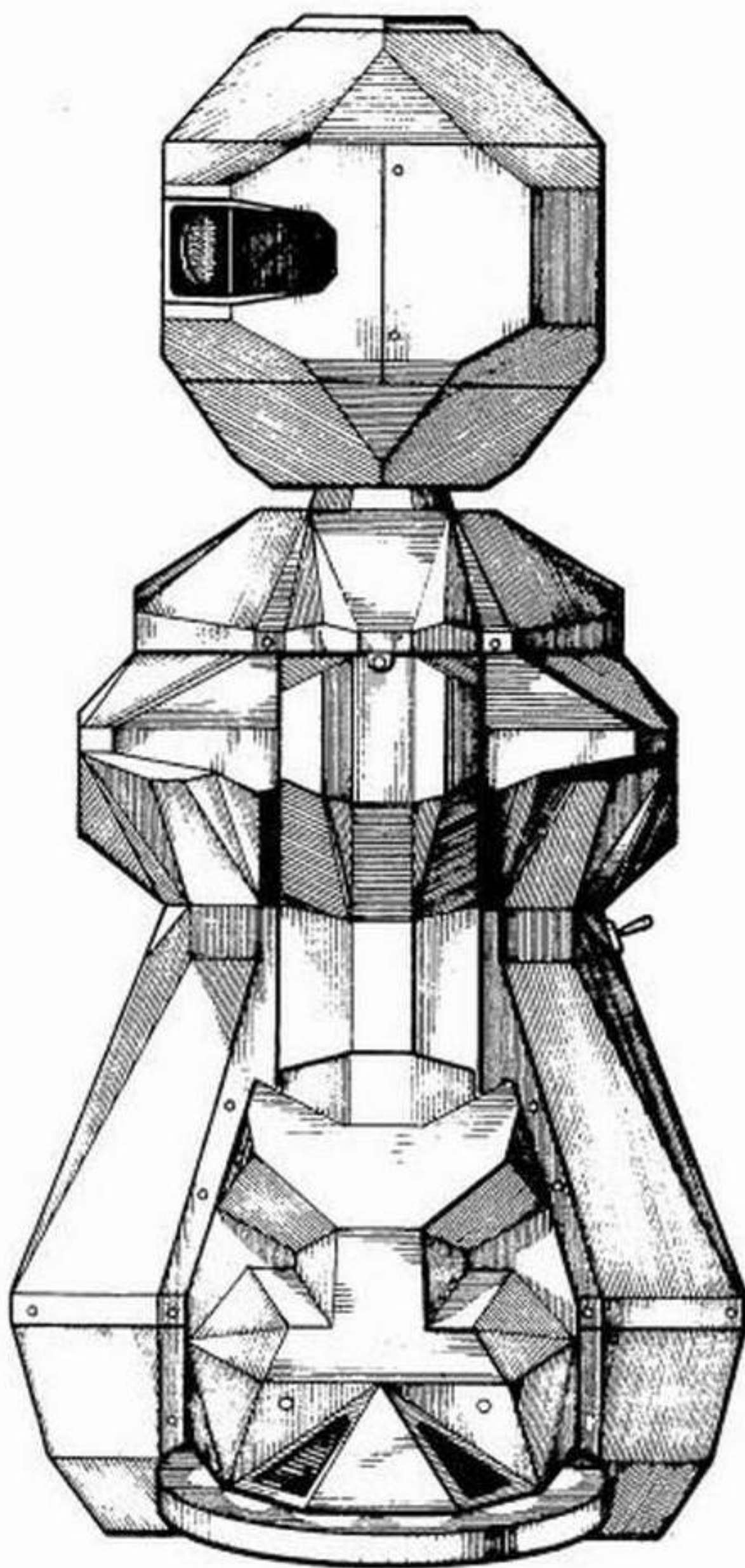


Fig. 5.

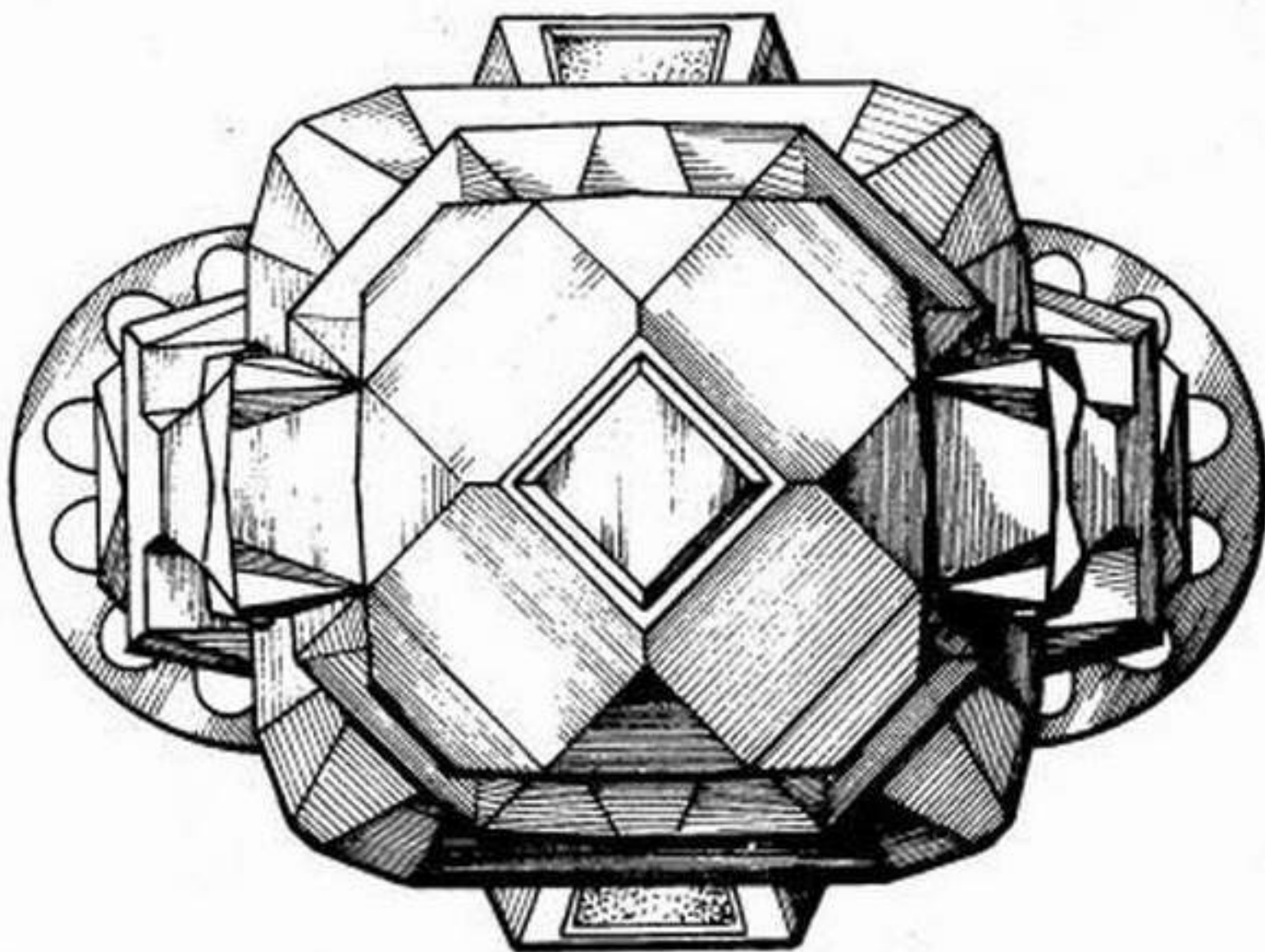


Fig. 6.

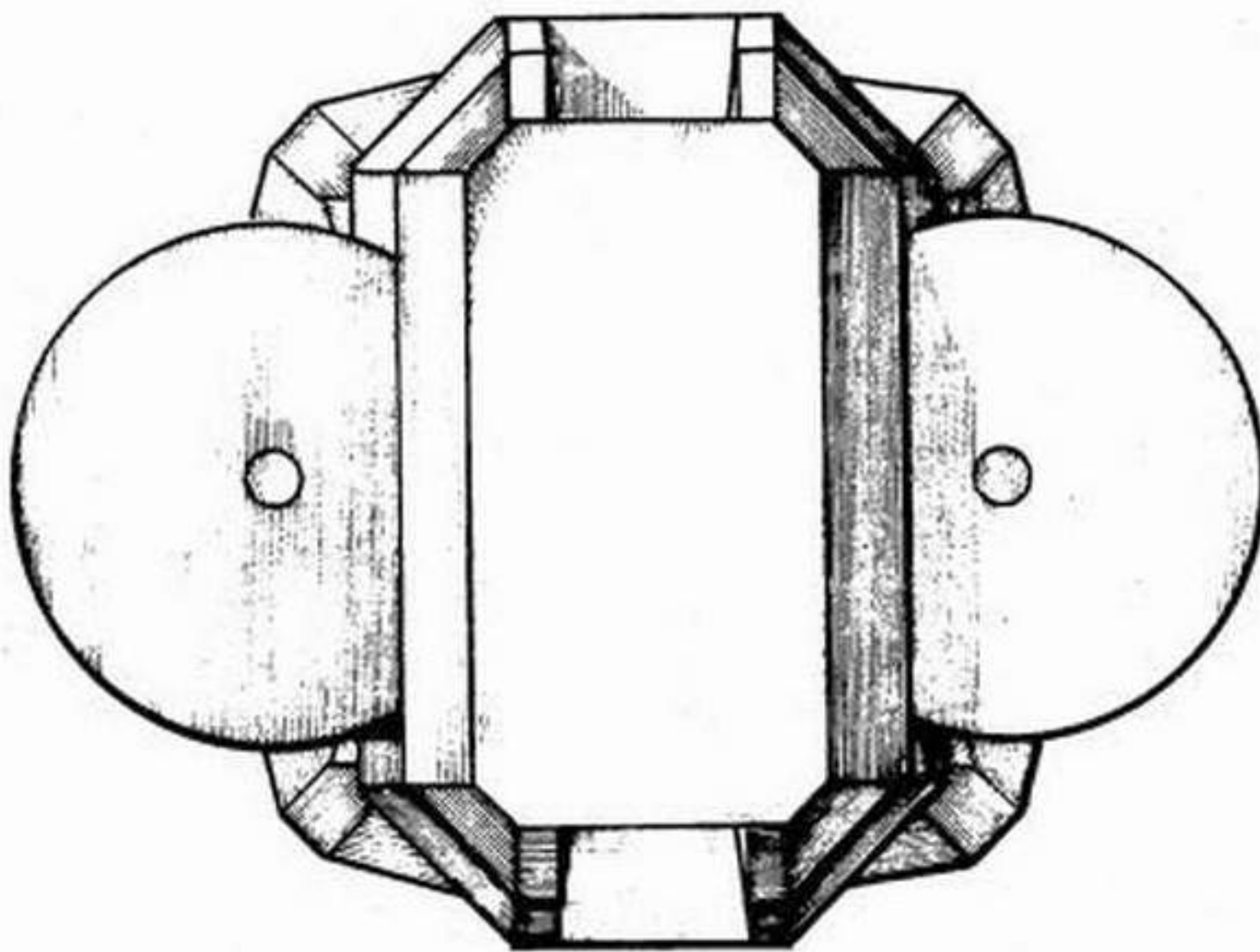


Fig. 7.

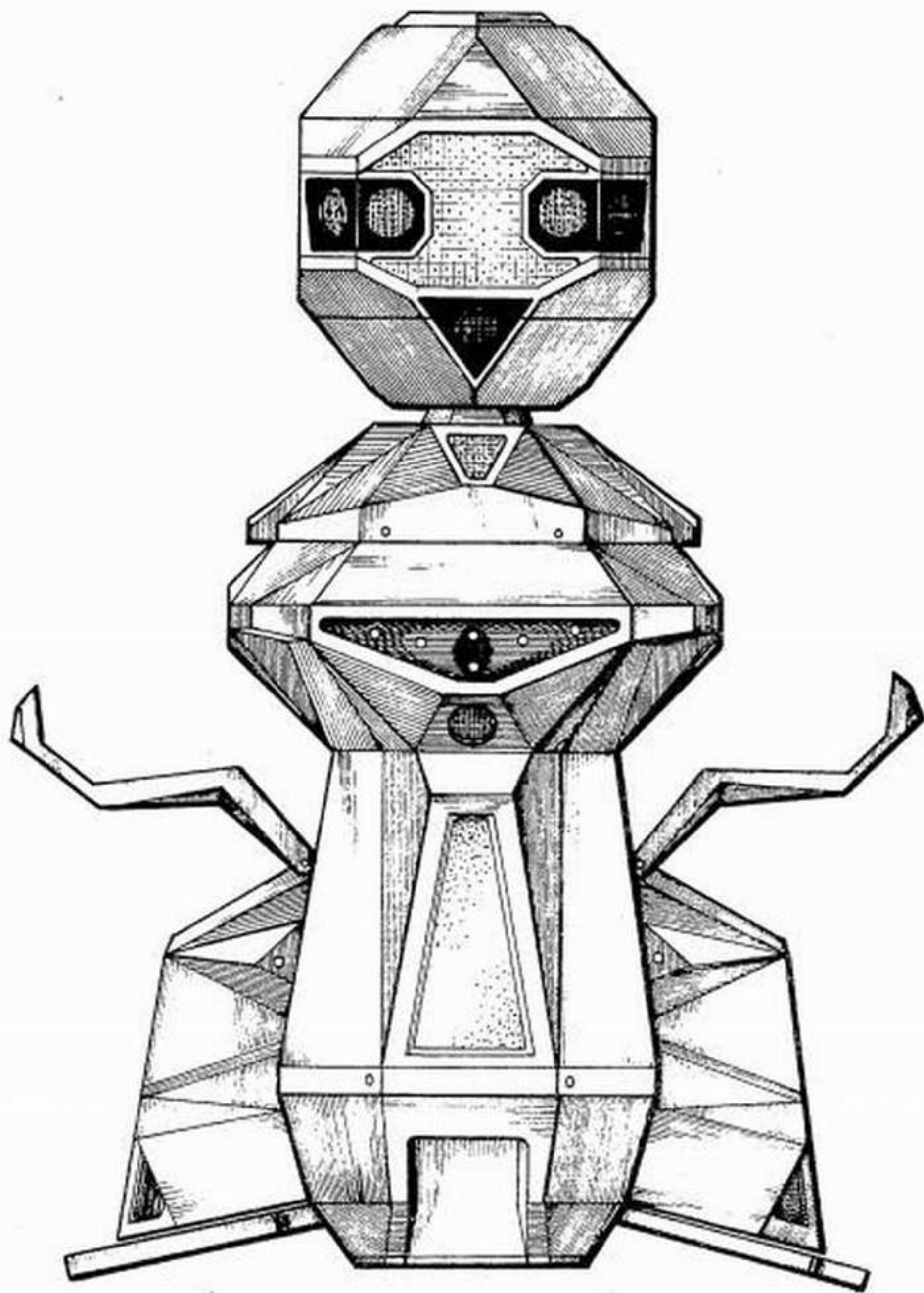


Fig. 8.

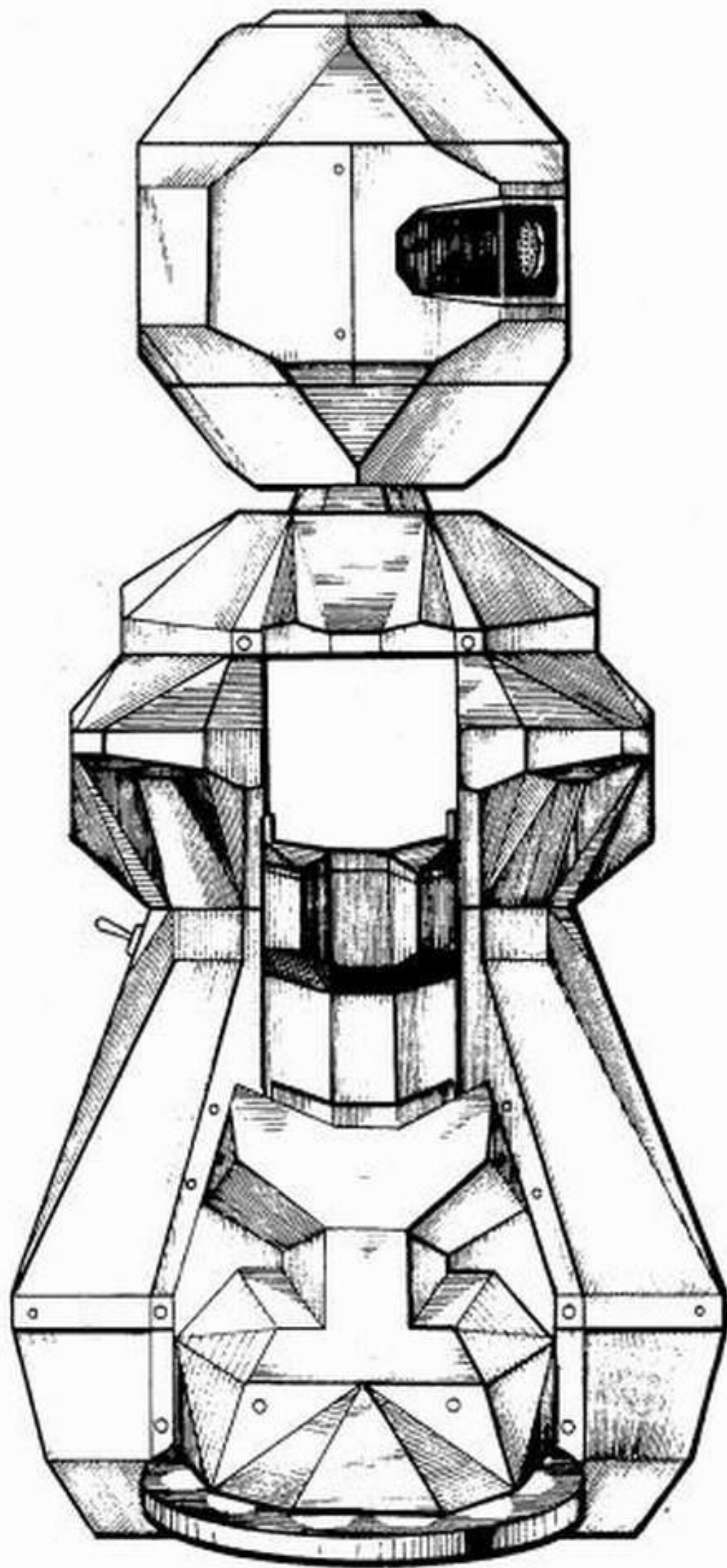


Fig. 9.

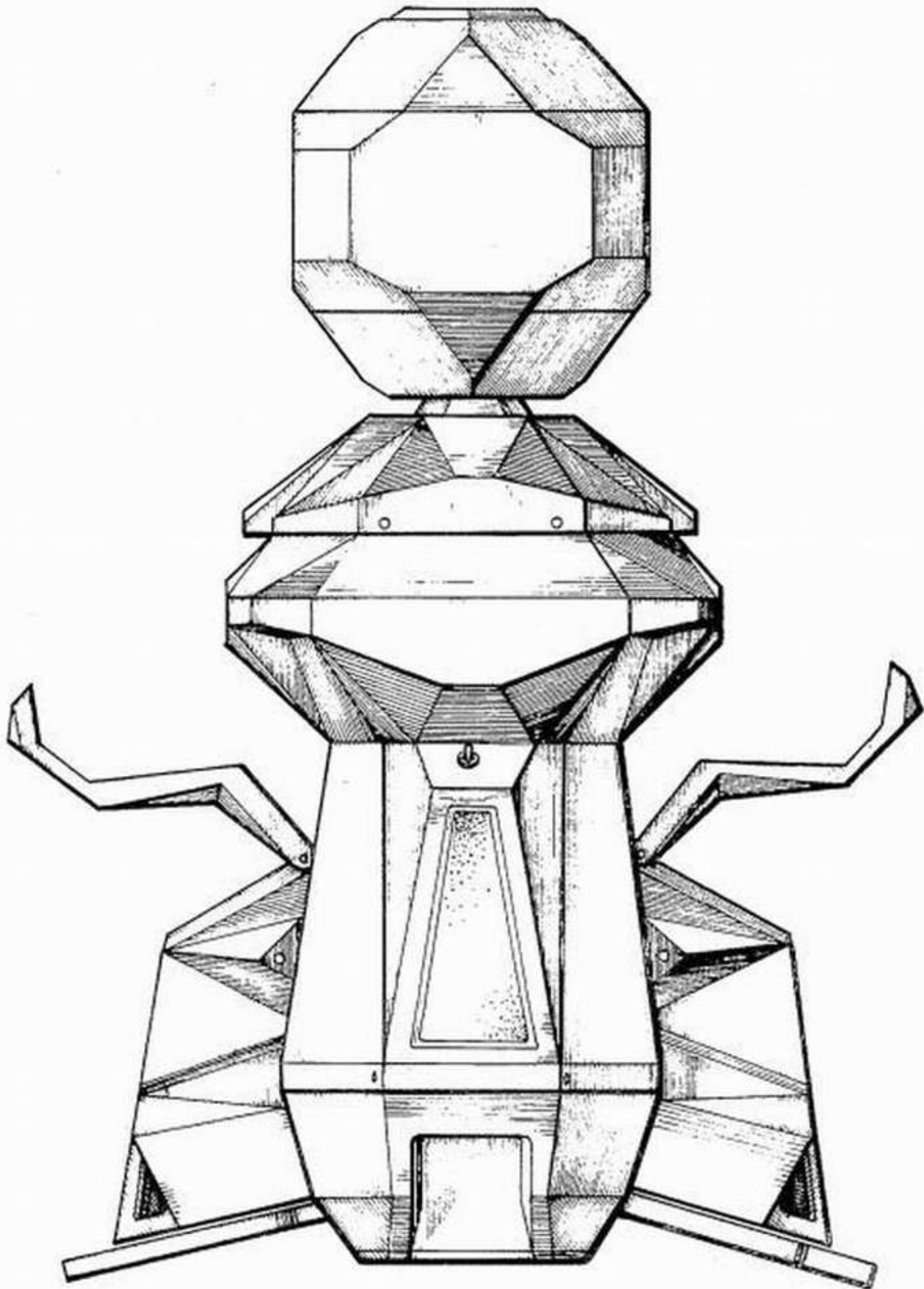


Fig. 10.