

DING-A-LING

SPY

INSTRUCTION SHEET

DO NOT THROW THIS SHEET AWAY. READ ALL INSTRUCTIONS CAREFULLY.

HOW TO PLAY WITH YOUR SPY

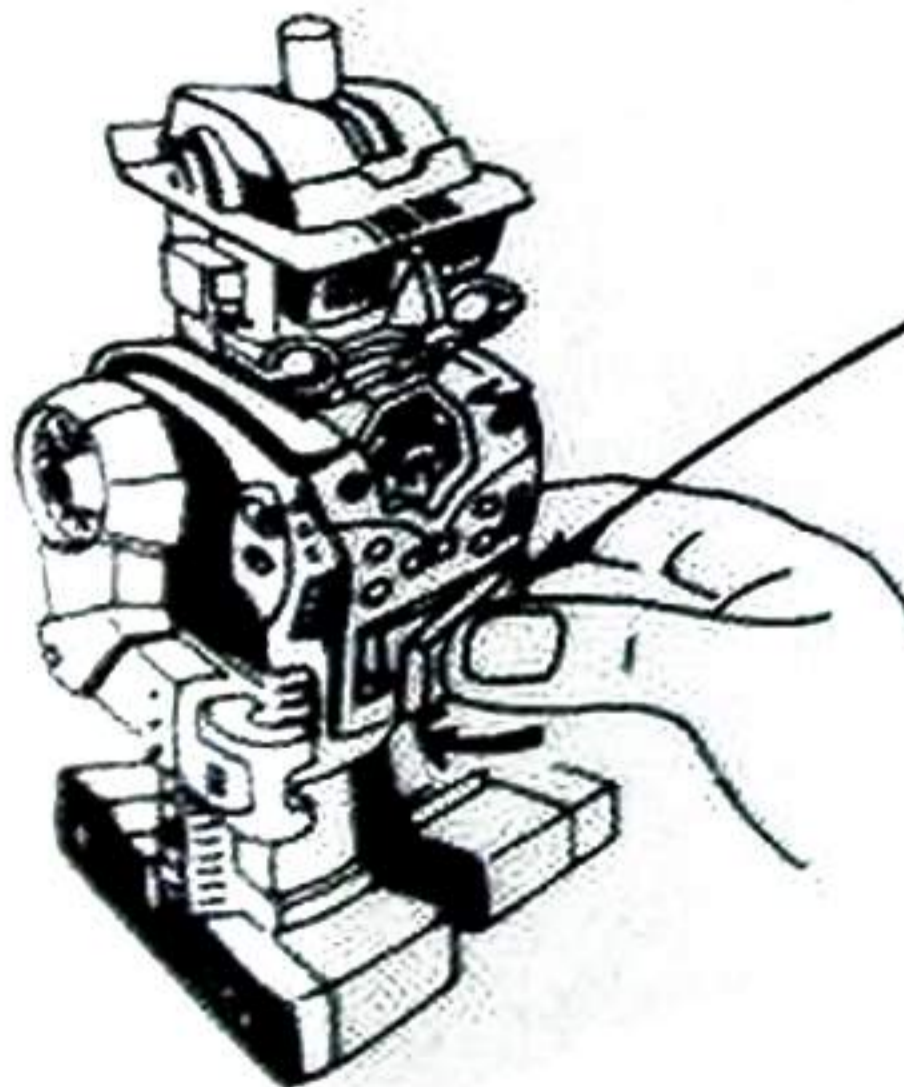
BUTTON

CAMERA

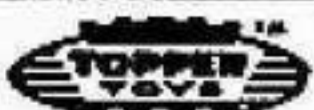


PUSH THE BUTTON ON TOP OF THE SPY'S HEAD AND CAMERA WILL POP OUT OF HIS CHEST.

CAMERA DOOR



TO CLOSE PUSH CAMERA DOOR AS SHOWN.



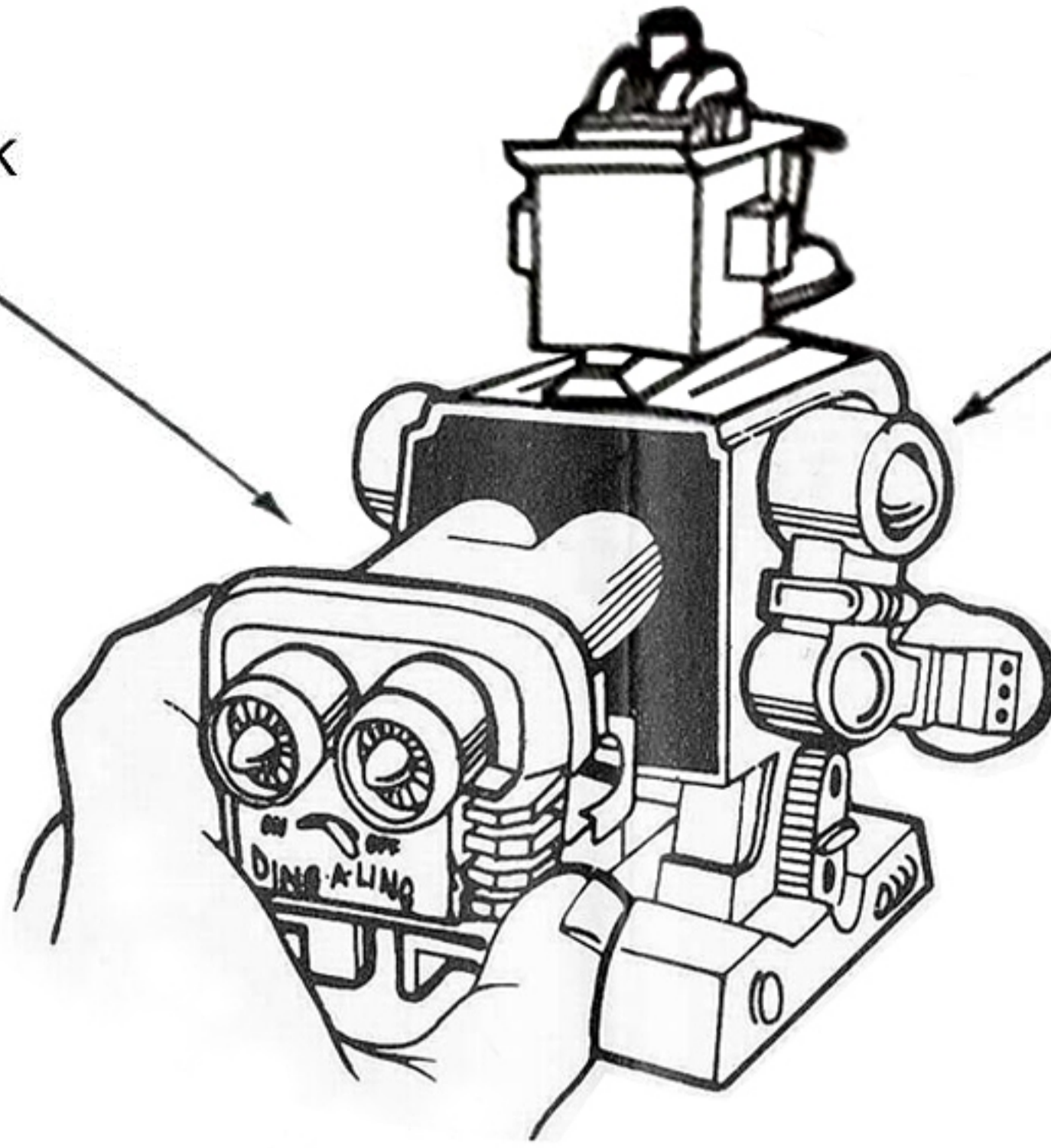
© 1971 TOPPER CORPORATION, ELIZABETH, N.J. 07206

3019-0010

PRINTED IN HONG KONG

POWER PACK

SPY



ADD POWER TO YOUR SPY WITH A DING-A-LING POWER PACK, ALL YOU NEED IS ONE POWER PACK TO MAKE ALL YOUR DING-A-LINGS WALK AND GLIDE. (POWER PACK AND SPACE SKYWAYS SOLD SEPERATELY.)



WHEN YOU HAVE ADDED POWER TO YOUR SPY. HE WILL WALK AND HIS CAMERA WILL POP OUT BY ITSELF.