

174,588

TOY ROBOT

Sid Noble, Levittown, N. Y., assignor to Ideal Toy Corporation, Hollis, N. Y., a corporation of New York

Application October 5, 1954, Serial No. 32,542

Term of patent 14 years

(Cl. D34—4)

FIG. 1.

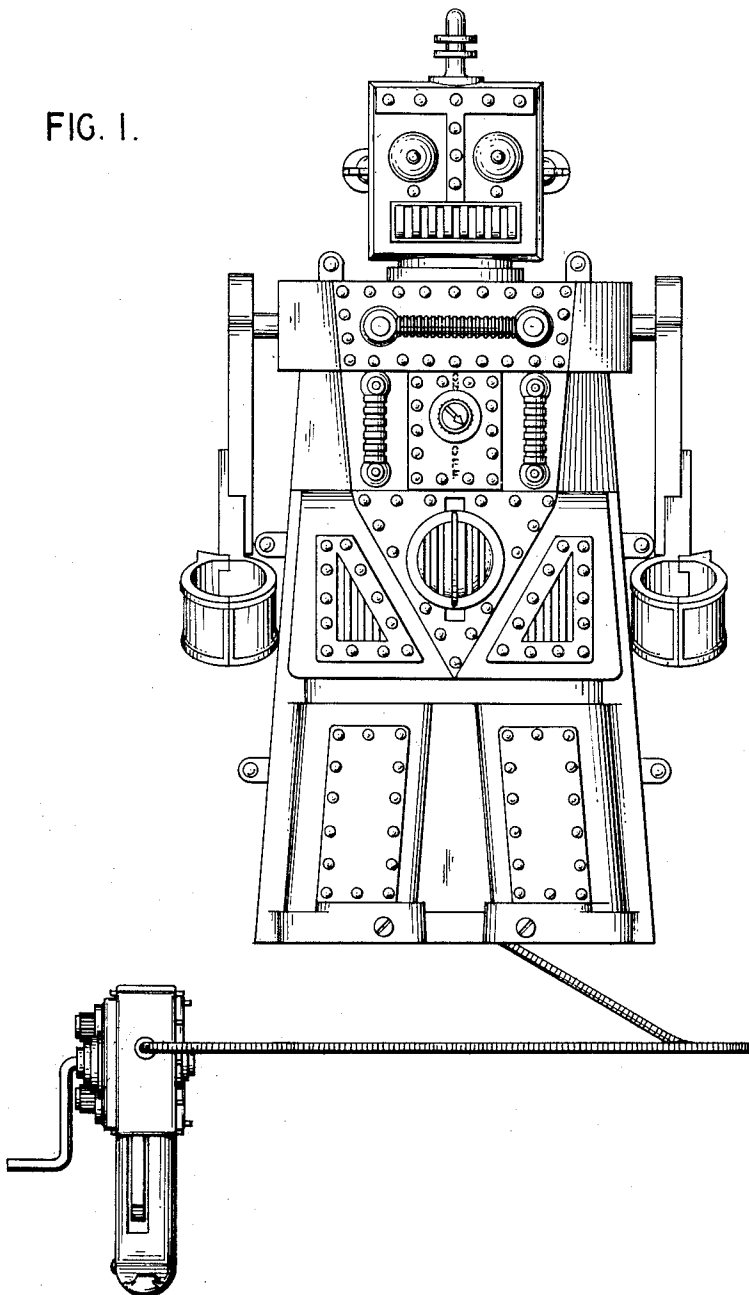


FIG. 2.

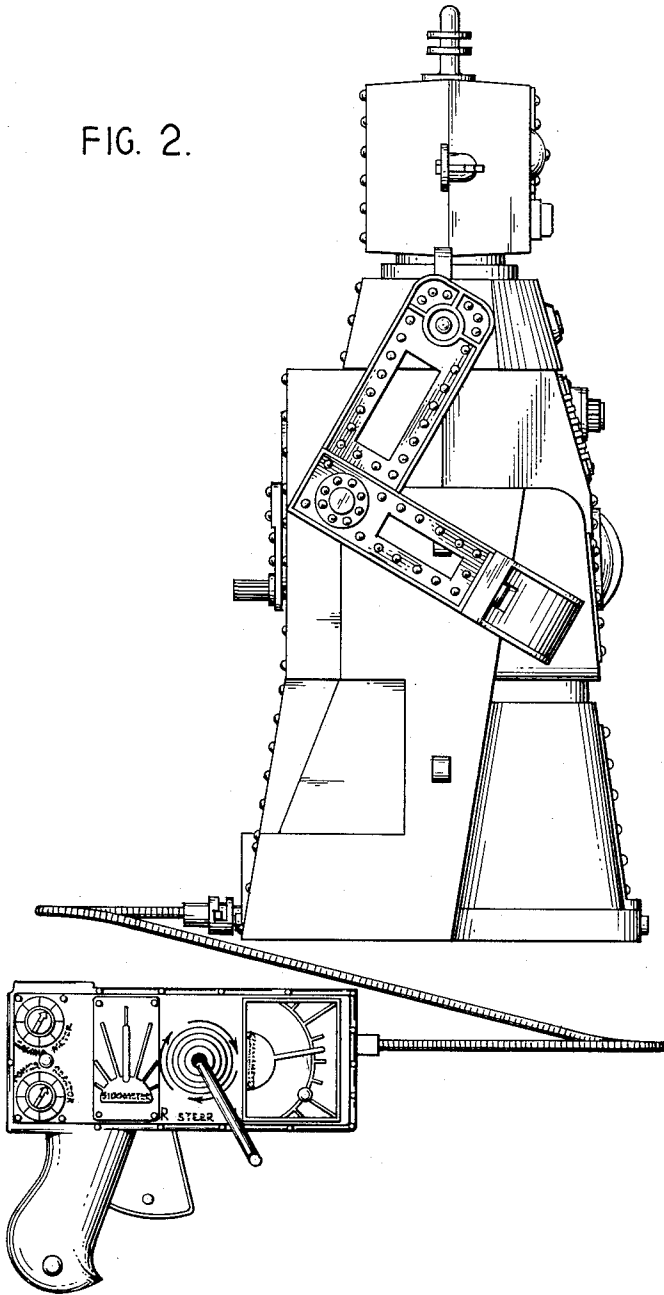


FIG. 3.

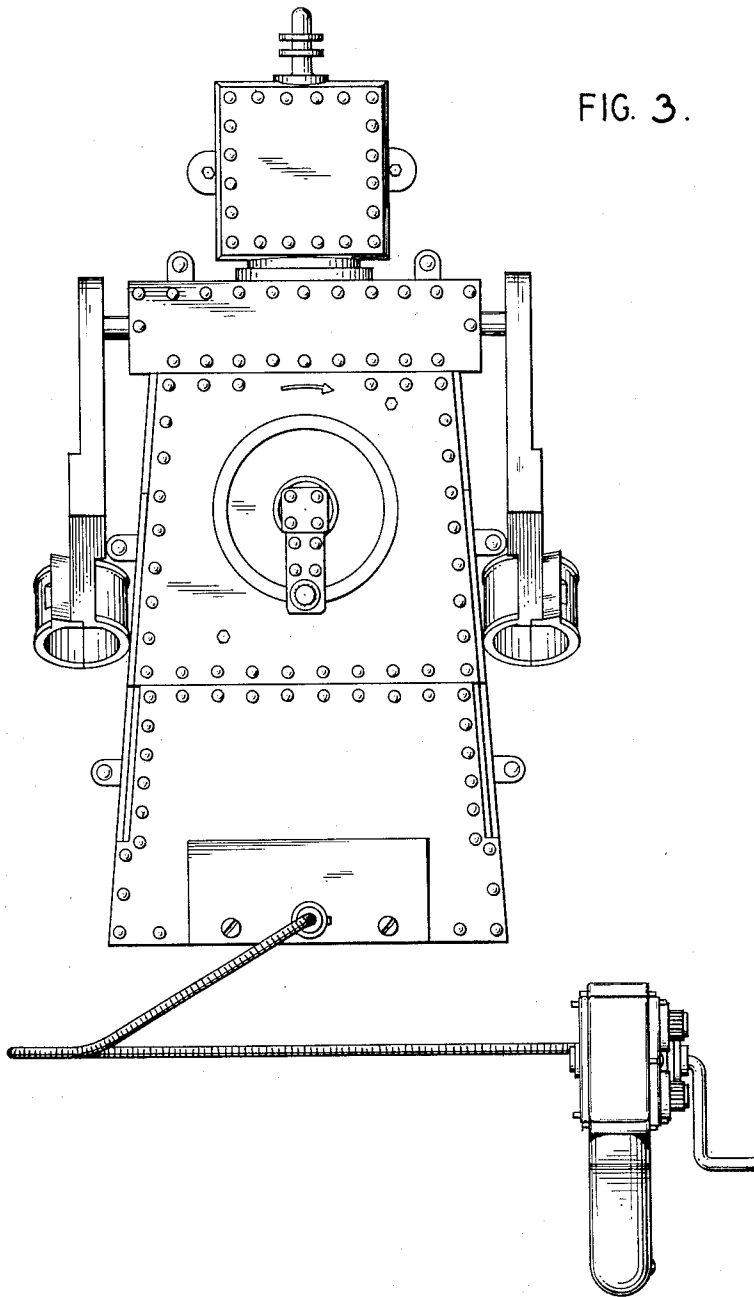


FIG. 4.

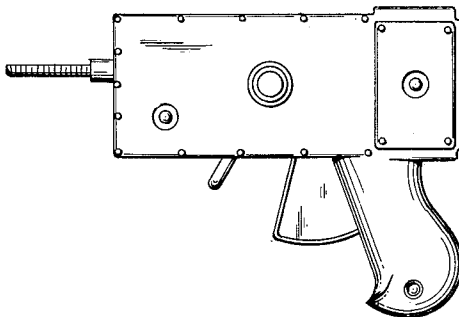
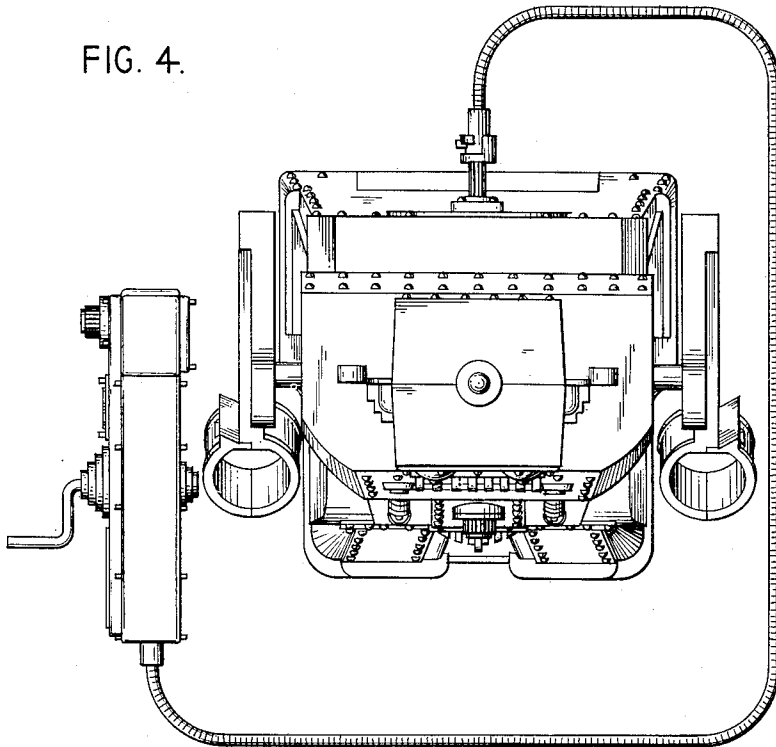


FIG. 5.

To all whom it may concern:

Be it known that I, Sid Noble, a citizen of the United States, residing at Levittown, in the county of Nassau and State of New York, have invented a new, original, and ornamental Design for a Toy Robot, of which the following is a specification, reference being had to the accompanying drawing, forming part thereof.

In the drawing:

Fig. 1 is a front elevational view of the toy robot showing my new design;

Fig. 2 is a side elevational view thereof;

Fig. 3 is a rear elevational view thereof;

Fig. 4 is a top plan view thereof; and

Fig. 5 is an elevational view of the remote control

drive member from the opposite side than that shown in Fig. 2.

I claim:

The ornamental design for a toy robot, substantially as shown.

References Cited in the file of this patent

UNITED STATES PATENTS

D. 91,216	Pynn	Dec. 19, 1933
D. 142,459	Westerman	Sept. 25, 1945
D. 171,959	Walling	Apr. 13, 1954
D. 172,941	Wood, Jr.	Aug. 31, 1954