

SPYBOT

LISTEN IN ON THE ACTION!



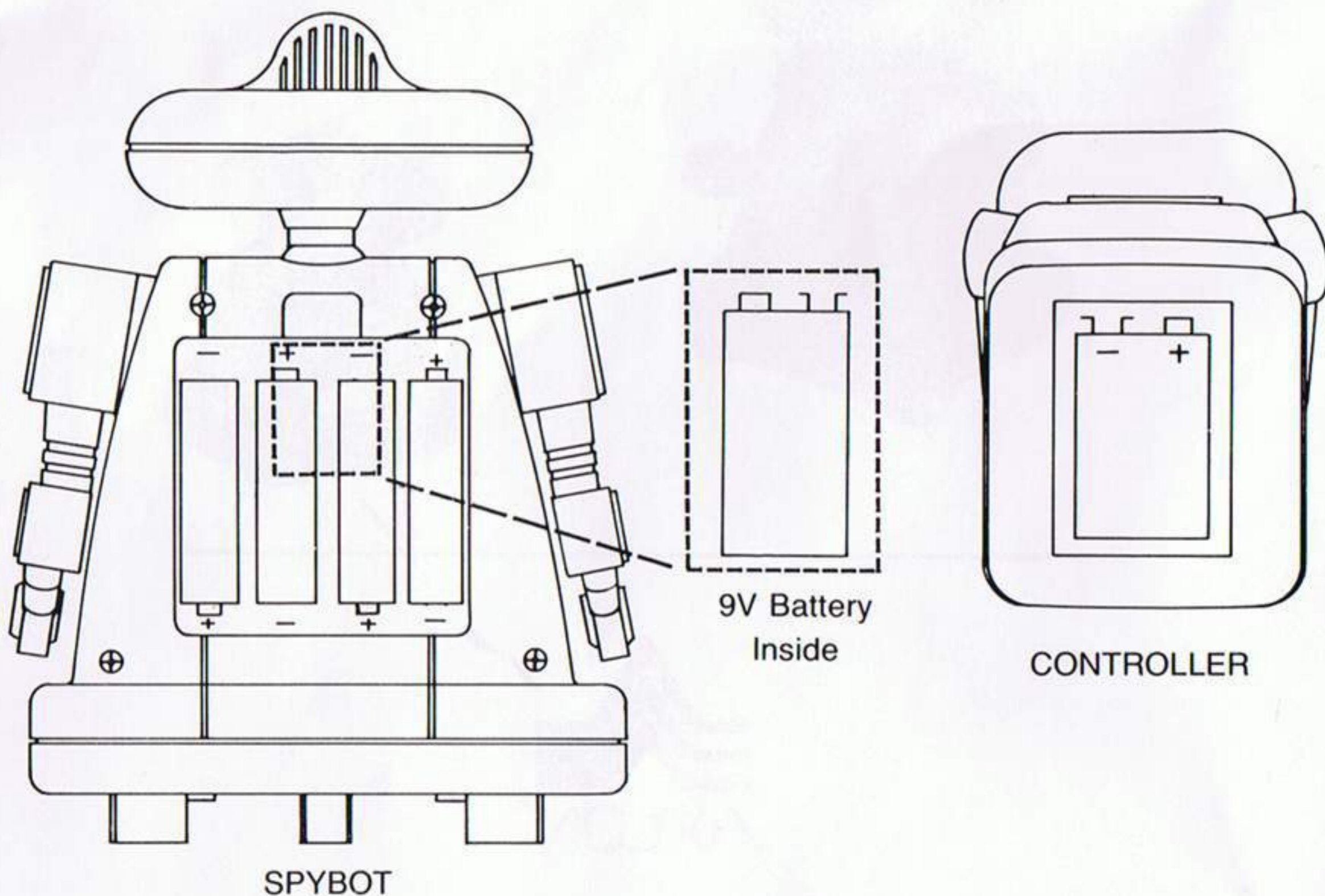
1287 Lawrence Station Rd. Sunnyvale, CA 94089

Spybot is the remote control robot that lets you listen in on the action. With your personal mini-Spybot Controller, maneuver Spybot into position with forward, back-and-turn, or stop commands. Spybot's parabolic reflecting dish and concealed microphone collect voices and sounds, relaying them to you through the Controller. Spybot can help you hear what's happening across the room!

BATTERY INSTALLATION:

Spybot requires one 9-volt transistor battery and four "AA" batteries. To install batteries, remove the battery cover on the back of the Spybot. Insert the 9-volt and four "AA" batteries, making sure the + and - signs match those in the battery compartment.

The mini-Spybot controller requires one 9-volt transistor battery. To install, remove the battery cover on the bottom of the controller and insert the battery as shown. For longer battery life, use Alkaline batteries.



REFLECTING DISH ASSEMBLY:

- Remove the clear plastic reflecting dish from the back of the white foam insert.
- Snap onto the narrow groove in Spybot's neck so the dish is *behind* Spybot's head, facing forward.

TO OPERATE SPYBOT:

- Move Spybot on-off switch to the "on" position.
- Place Spybot on smooth hard floor or short pile carpet.
- Hold the mini-Spybot controller in an upright position and push the control button on the front of the Controller. Spybot will move forward.
- Release the button and Spybot will stop.
- When Spybot is not moving, sounds will be automatically transmitted from the hidden microphone in Spybot's head through the speaker in the Controller.
- Push the control button again. Spybot will move backwards and turn until the button is released.
- For best reception, avoid obstacles between Spybot and Controller.
- Always remember to turn Spybot off when not in use.

CARE AND MAINTENANCE:

- Do NOT operate on sand, dirt, or thick carpet. Do NOT allow Spybot or Controller to get wet.
- Do not bend antennae on Spybot or Controller.
- Remove batteries from both units during long periods of non-use.
- Do not store Spybot or Controller in direct sunlight or near hot or cold temperature extremes.
- When speed of Spybot becomes noticeably slower, replace all four "AA" batteries. When maximum range between Spybot and Controller becomes noticeably smaller, replace both 9-volt batteries.

LIMITED WARRANTY:

AXLON, Inc. warrants SPYBOT and the Spybot Controller given normal and reasonable use, to be free from defects in workmanship or materials for 90 days after the original date of purchase.

Except as specified below, Axlon Inc. will repair or at its option replace SPYBOT or the Controller if either unit is defective in material or workmanship during the warranty period at no charge (except as provided herein), provided it is returned to Axlon, Inc.

The Spybot warranty does not cover batteries or damage caused by accident, abuse, or misuse.

AXLON INC. IS NOT RESPONSIBLE FOR INCIDENTAL OR CONSEQUENTIAL DAMAGES RESULTING FROM THE BREACH OF ANY EXPRESS OR IMPLIED WARRANTY, INCLUDING, WITHOUT LIMITATION, DAMAGE TO PROPERTY, AND, TO THE EXTENT PERMITTED BY LAW, DAMAGES FOR PERSONAL INJURY. THIS WARRANTY IS IN LIEU OF ALL OTHER WARRANTIES. ANY IMPLIED WARRANTIES, INCLUDING, WITHOUT LIMITATION, IMPLIED WARRANTIES OF MERCHANTABILITY AND FITNESS FOR A PARTICULAR PURPOSE, ARE LIMITED IN DURATION TO 90 DAYS FROM THE DATE OF ORIGINAL PURCHASE.

In order to obtain warranty service, return your SPYBOT to Axlon Inc. at 1287 Lawrence Station Road, Sunnyvale, California 94089, transportation charges prepaid. Include with SPYBOT your name, address, telephone number, a description of the defect and a proof of purchase bearing the date of original purchase.

Some states do not allow limitations to be placed on the length of an implied warranty or exclusions or limitations of incidental or consequential damages, so the above exclusions or limitations may not apply to you.

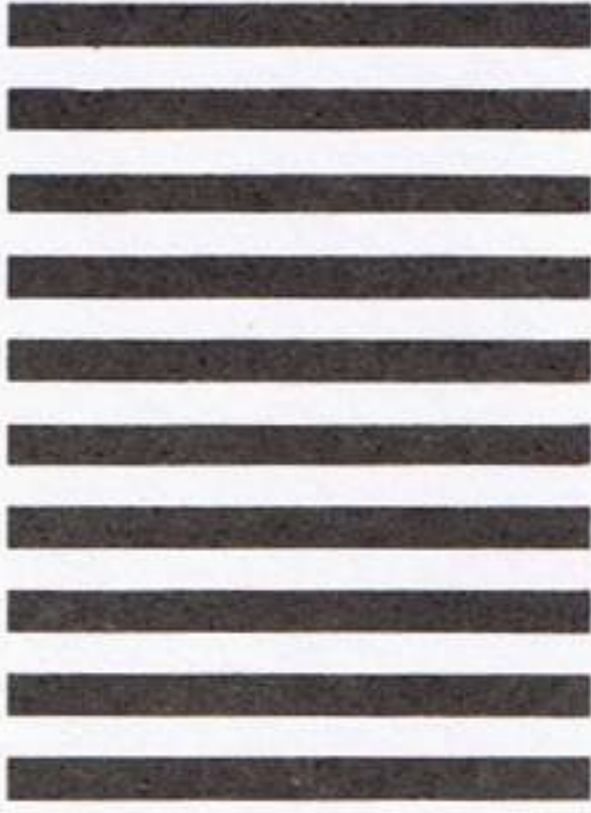
This warranty gives you specific legal rights that may vary from state to state. Applicable in the U.S.A. only.

AXLON, INC.
1287 LAWRENCE STATION ROAD
SUNNVALE, CA. 94089-9897

POSTAGE WILL BE PAID BY ADDRESSEE

FIRST CLASS PERMIT NO. 1650 SUNNVALE, CA
BUSINESS REPLY MAIL

NO POSTAGE
NECESSARY
IF MAILED
IN THE
UNITED STATES



If purchased for yourself: Your gender M F Age _____
 If purchased as a gift: Gender of recipient M F Age _____
 If received as a gift: Your gender M F Age _____

Please circle product purchased:
 Party Animals: Darwin Gorilla, Sting Mosquito, Dippity Dolphin, London Frog, Silly Goose, Tetraxini Turkey
 A.G. Bear, A.G. Baby, Grandmaw A.G., Grandpaw A.G., Petster, Petster Deluxe, Petster Puppy, Hamster, Talkabot, Spybot, Other

NAME _____
 ADDRESS _____
 CITY _____
 STATE _____ ZIP _____
 PRICE _____
 DATE PURCHASED _____
 TELEPHONE _____

To receive special offers on new additions to the exciting line of Axlon products, please complete this postage-paid card and mail it today.

LIMITED WARRANTY

Axlon, Incorporated warrants the electronics in this toy, given normal and reasonable use, to be free of defects in materials and workmanship for 90 days after the original date of purchase.

If the electronics becomes defective within the warranty period, mail the toy (A.G. Bear and A.G. Baby: send sound box only) postage pre-paid, along with dated proof of purchase, to: Quality Control Department, Axlon Inc., 1287 Lawrence Station Road, Sunnyvale, CA 94089. We will repair or replace the electronics and return it to you postage paid.

Axlon, Incorporated shall not be liable under this or any implied warranty for incidental or consequential damages. The duration of any implied warranties shall be limited to 90 days after the original date of purchase.

Some states do not allow limitations on how long an implied warranty lasts or exclusions or limitations of incidental or consequential damages, so the above exclusions or limitations may not apply to you.

This warranty gives you specific legal rights, and you may also have other rights which vary from state to state. Applicable in U.S.A. only.

DATED PROOF OF PURCHASE MUST ACCOMPANY RETURNED TOY.

